



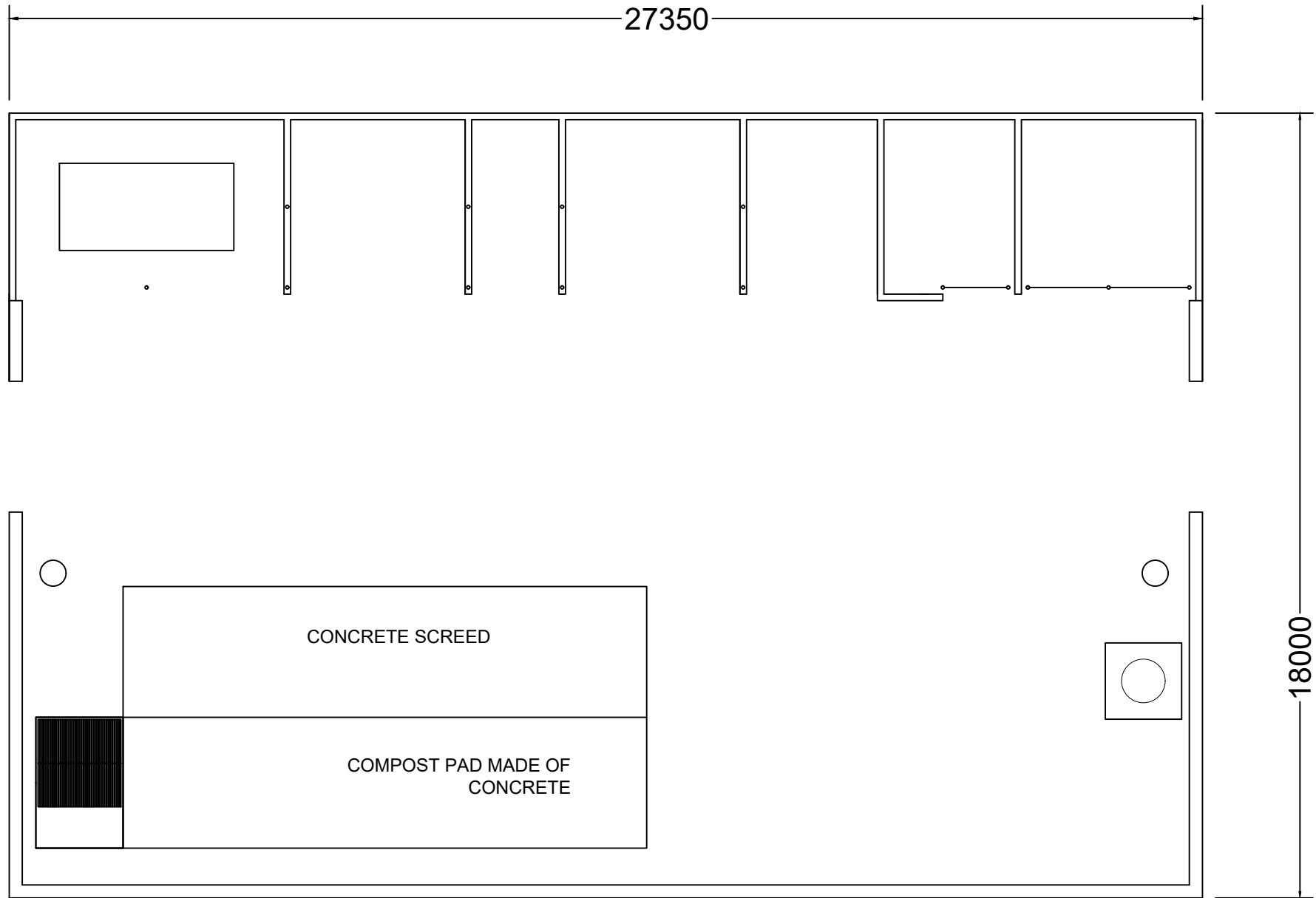
PROJECT:

**CONSTRUCTION OF  
AN ISLAND WASTE MANAGEMENT CENTRE  
at Th. Vandhoo**

PREPARED BY:

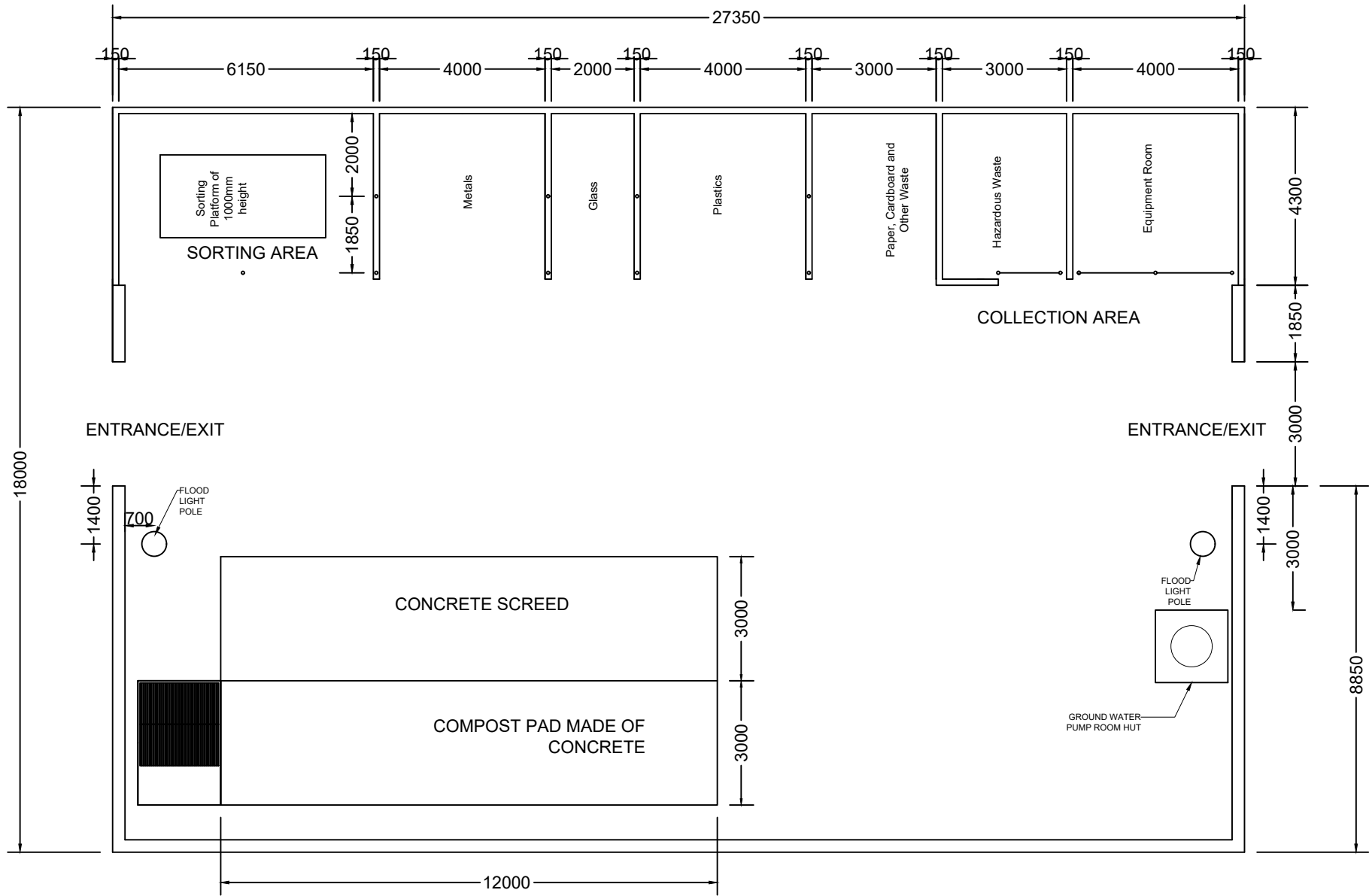
**WASTE MANAGEMENT AND POLLUTION CONTROL DEPARTMENT**  
MINISTRY OF ENVIRONMENT AND ENERGY

JULY 2017

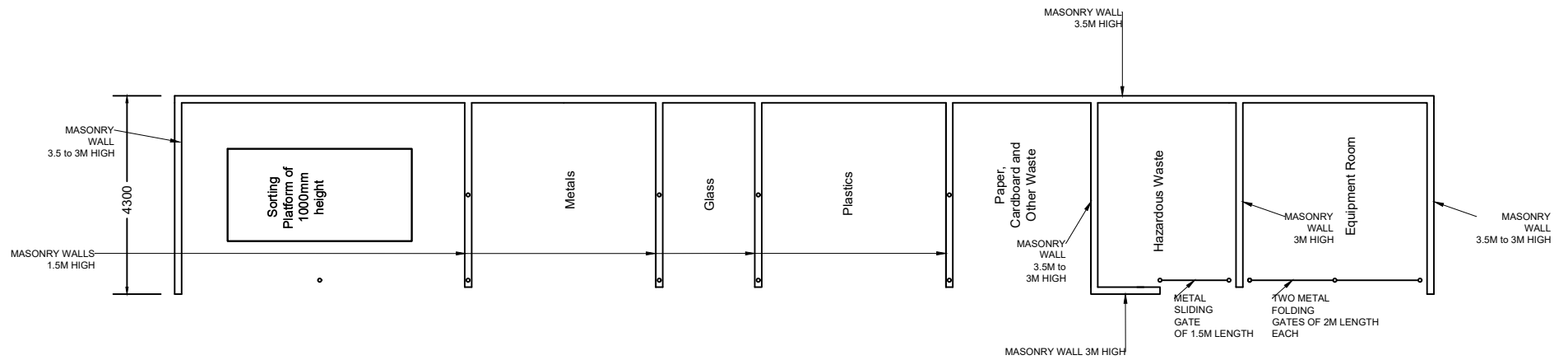


SITE LAYOUT



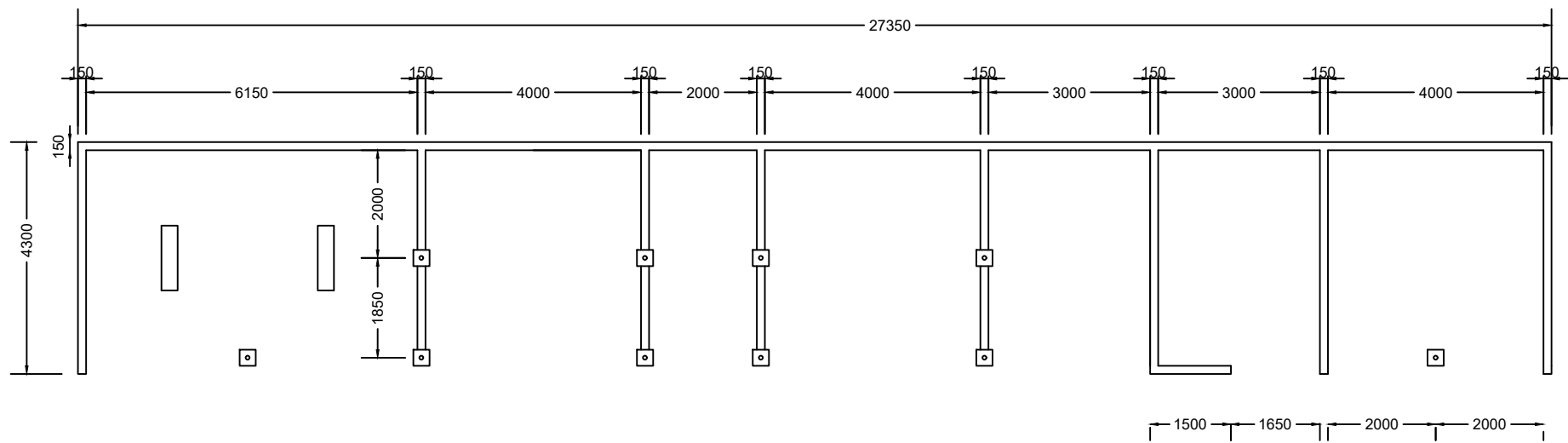


# SITE LAYOUT



# COLLECTION BAY - PLANS

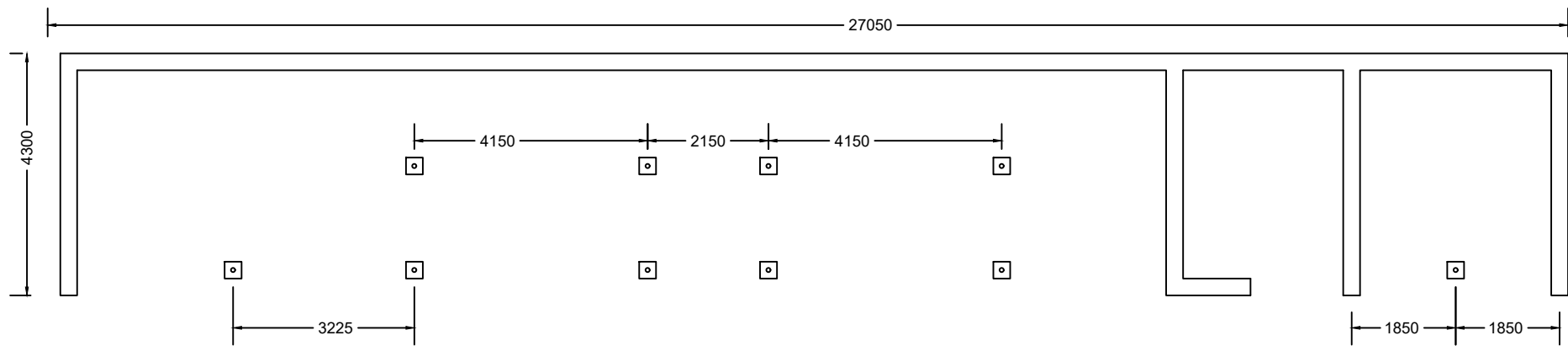




FLOOR PLAN

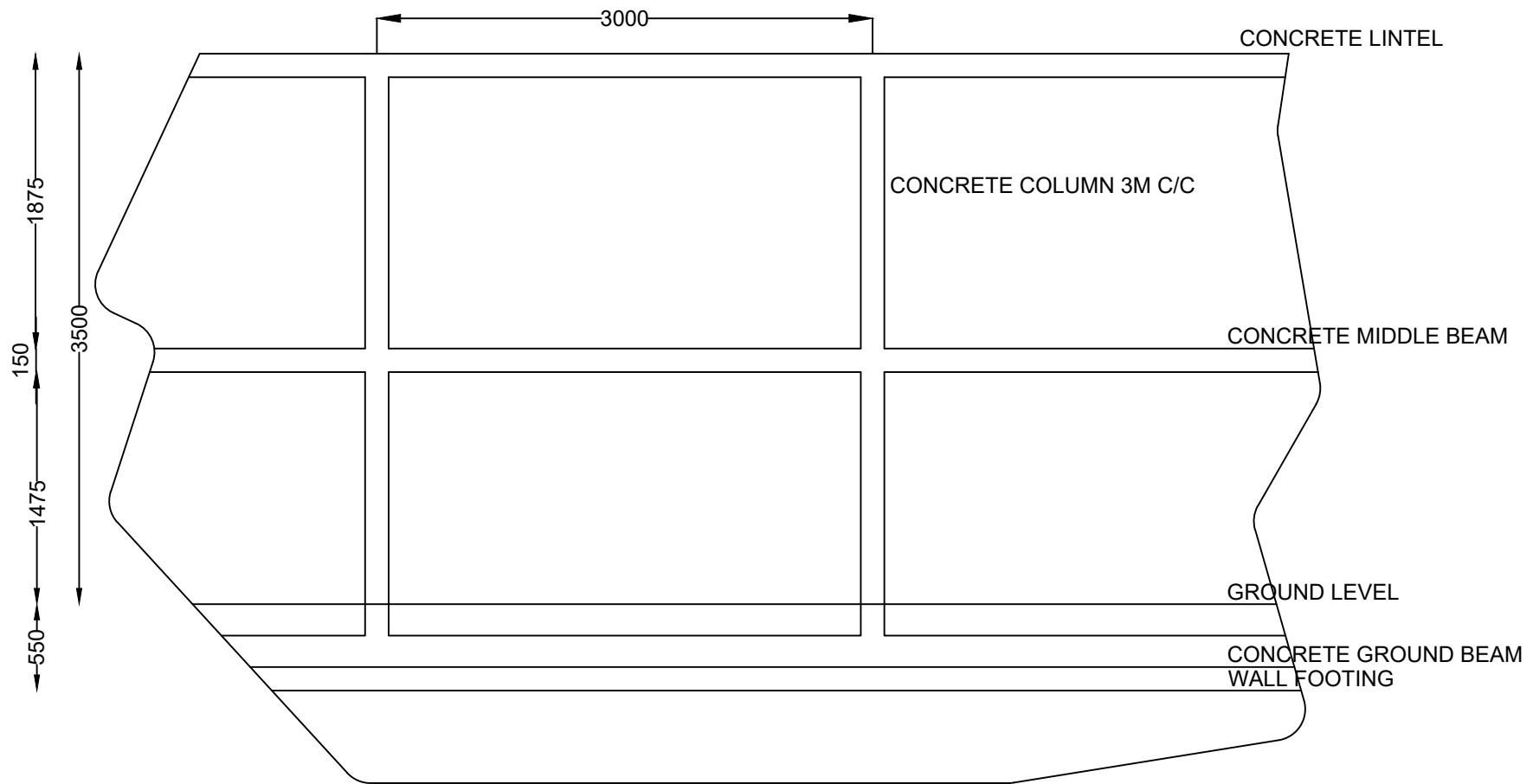
# COLLECTION BAY - FLOOR PLAN





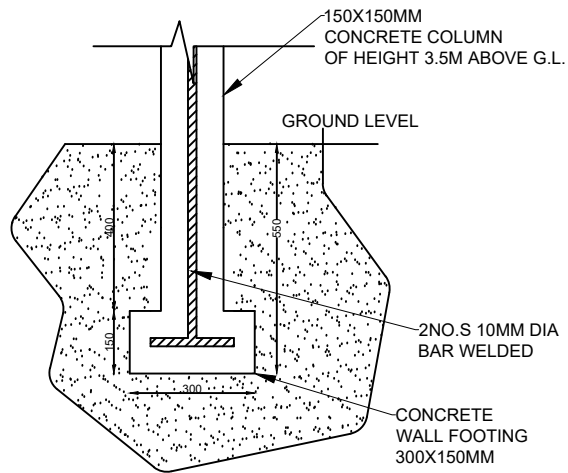
# COLLECTION BAY - FOUNDATION PLAN



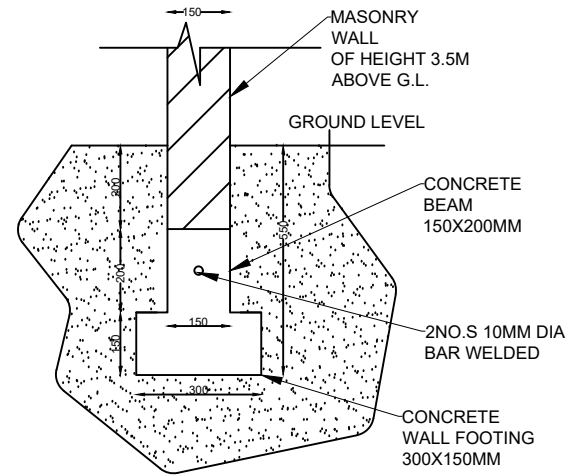


# COLLECTION BAY - WALL

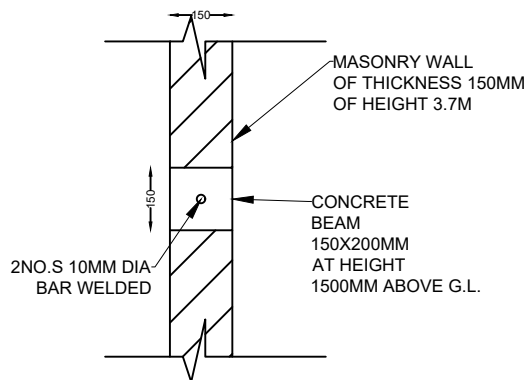




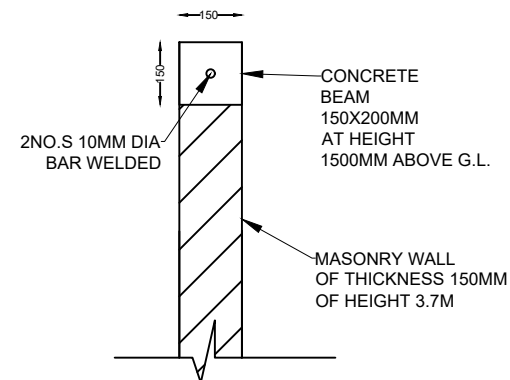
COLUMN DETAILS



BEAM AND WALL FOOTING DETAILS



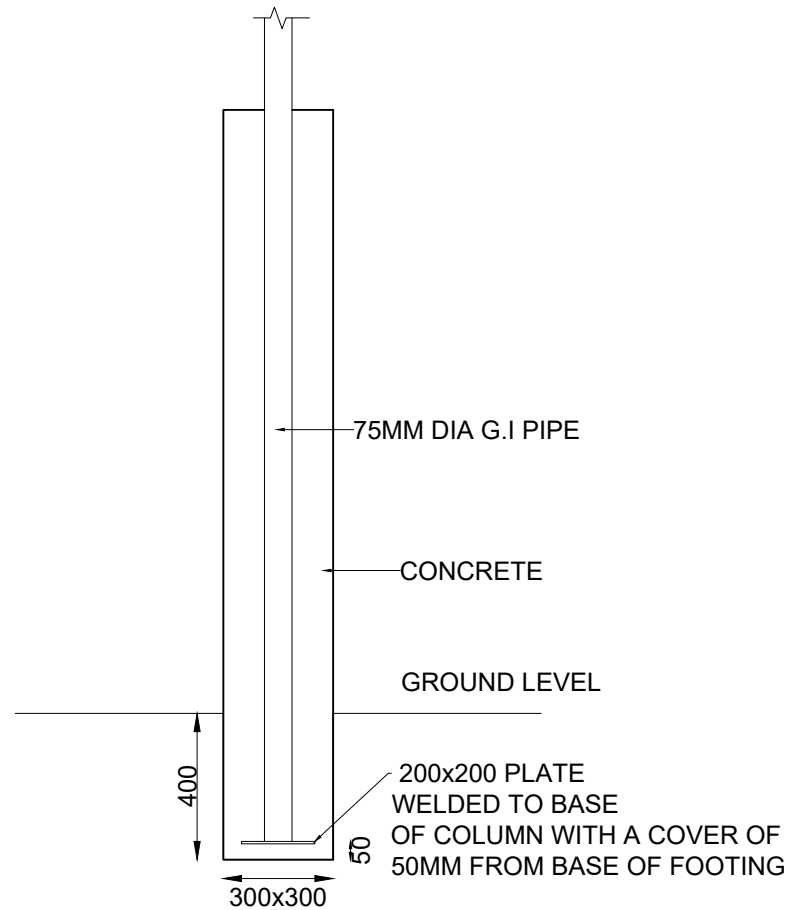
MIDDLE BEAM DETAILS



LINTEL DETAILS

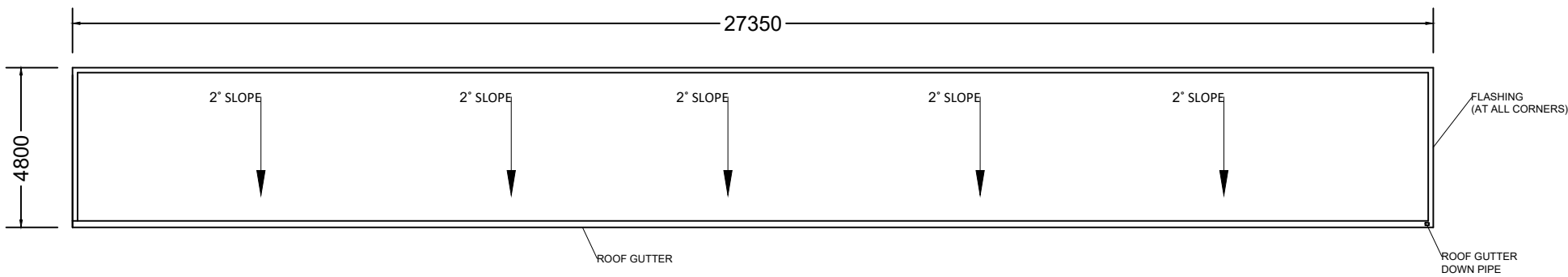
COLLECTION BAY - WALL DETAILS





COLLECTION BAY  
G.I. PIPE COLUMN FOUNDATION

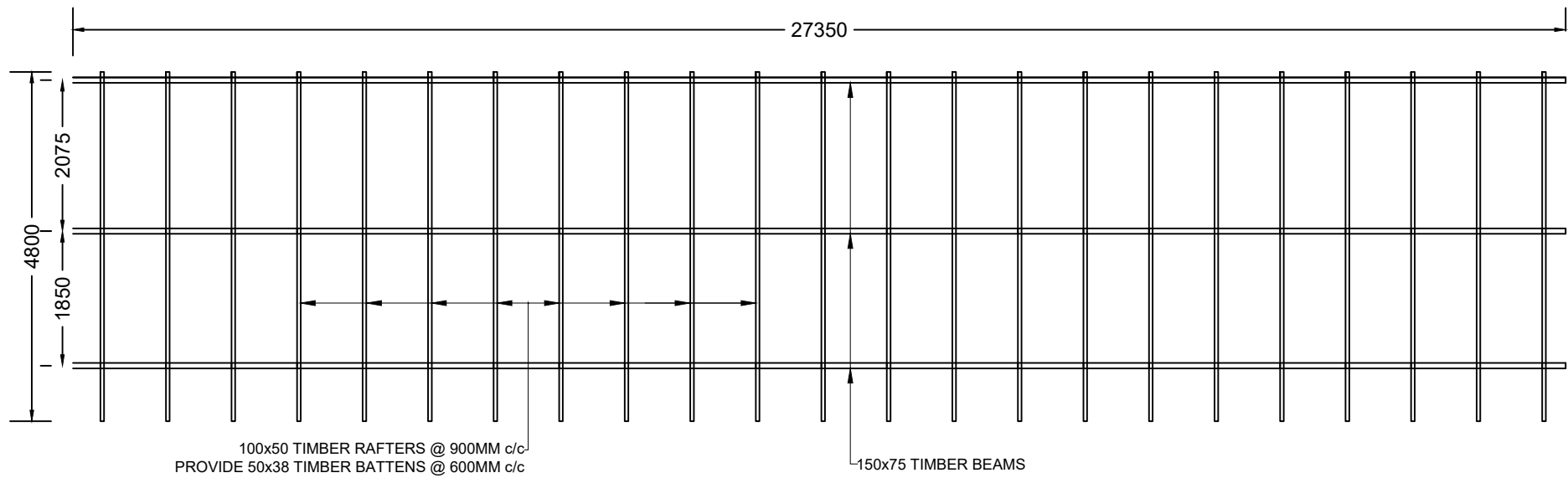
COLLECTION BAY - G.I PIPE COLUMN FOUNDATION DETAILS



ROOF PLAN

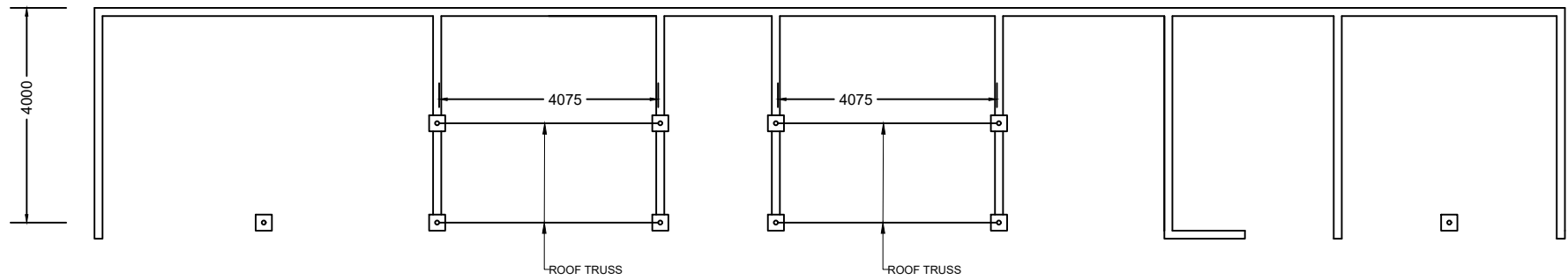
# COLLECTION BAY - ROOF PLAN





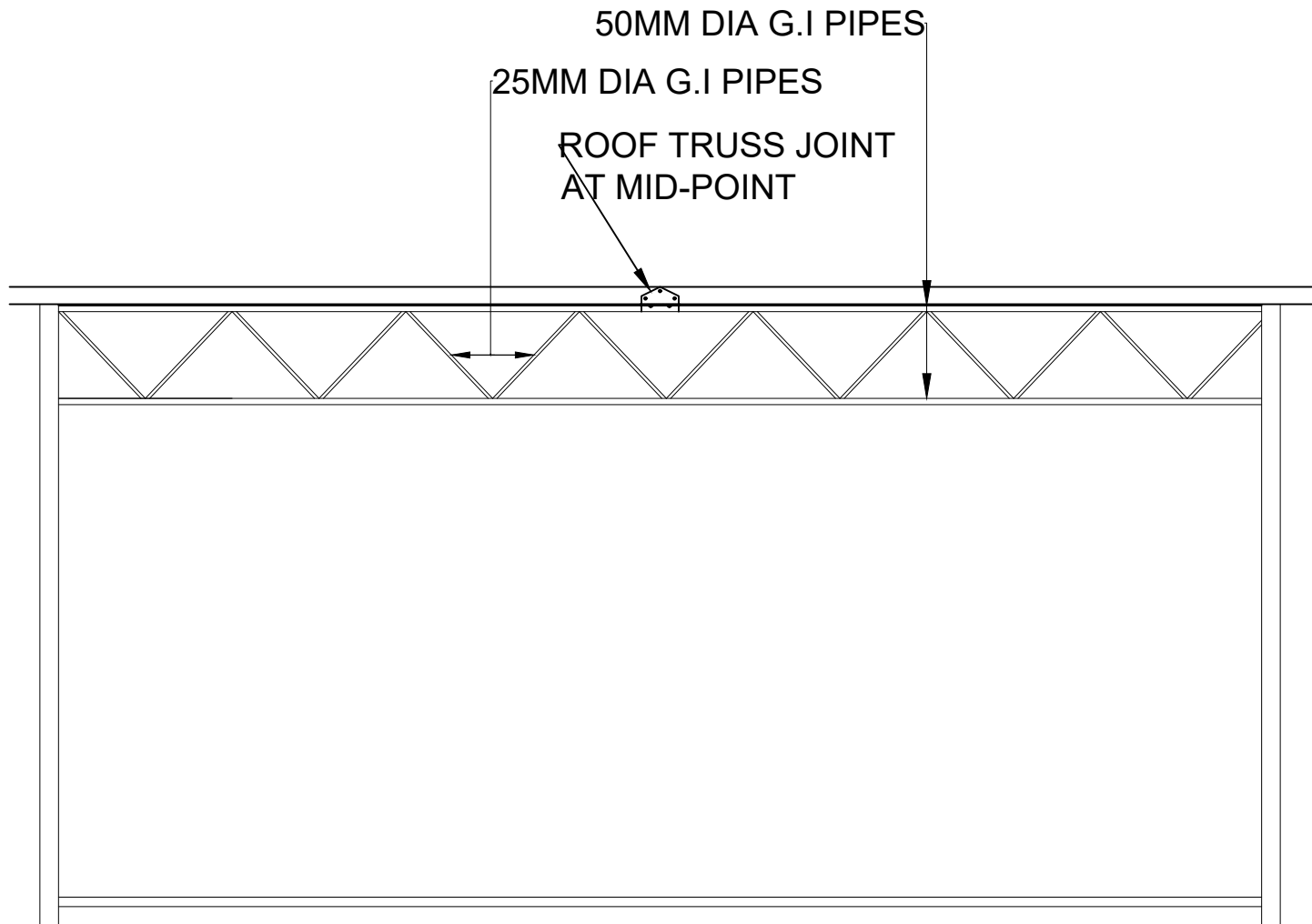
# COLLECTION BAY - ROOF FRAMING PLANS



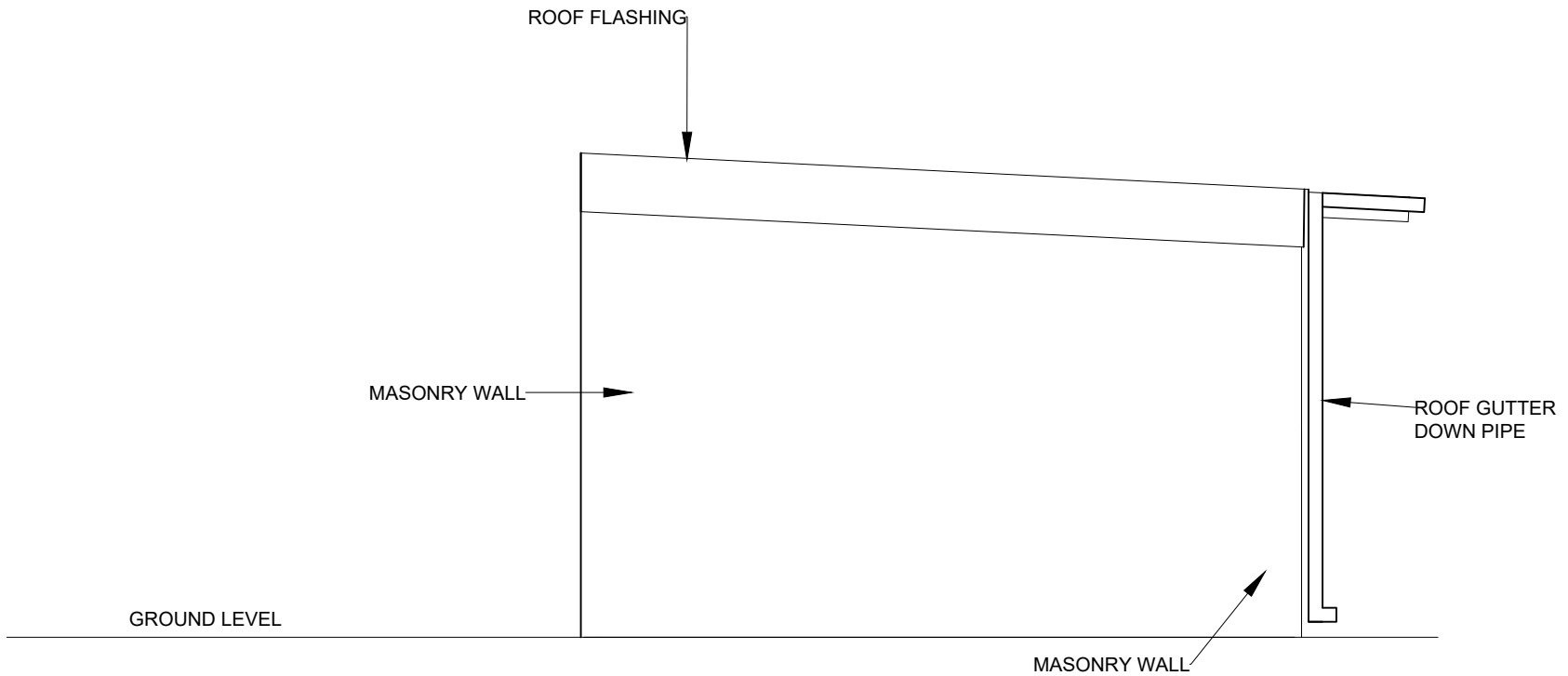


COLLECTION BAY - ROOF TRUSS PLAN

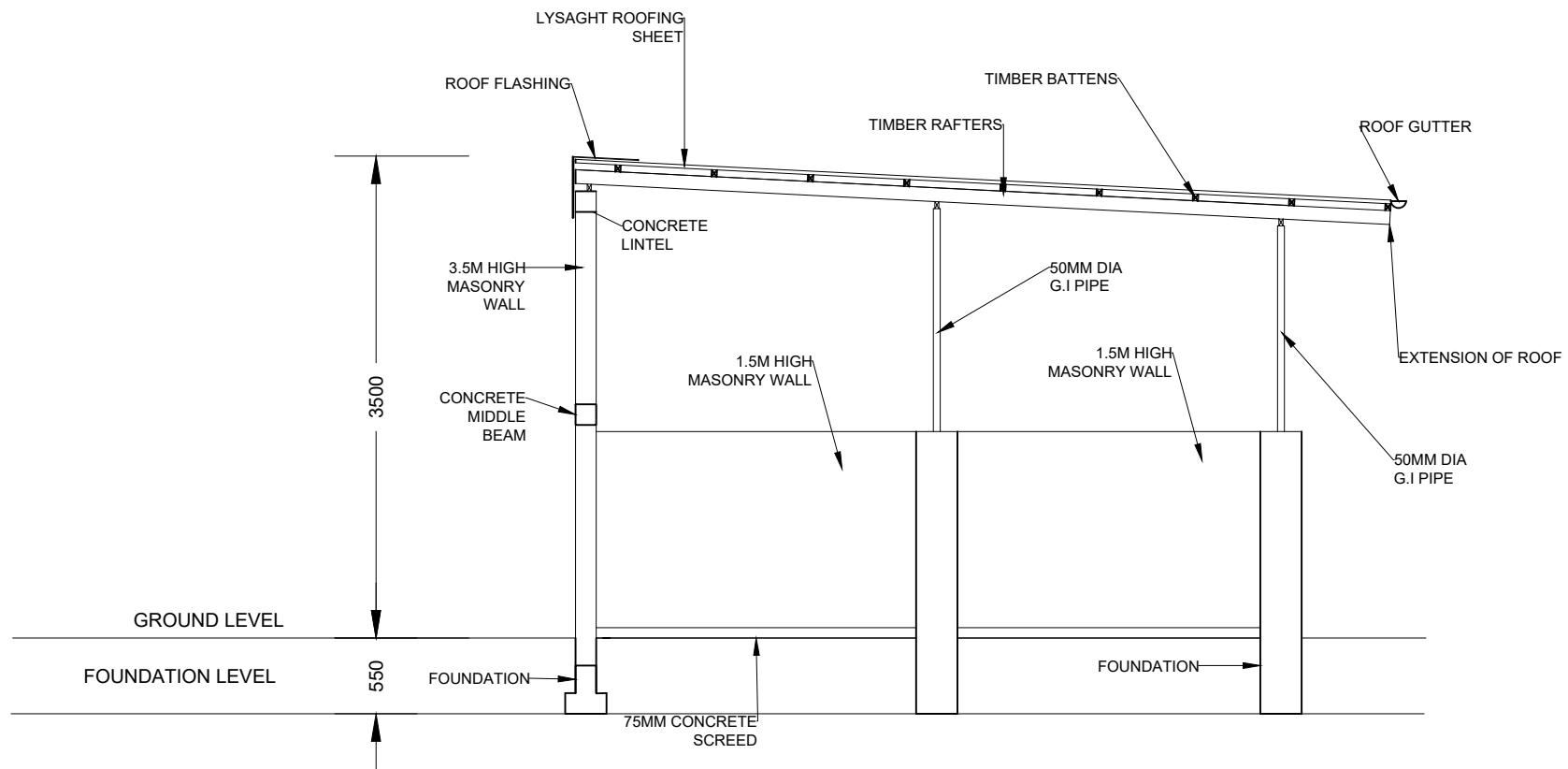




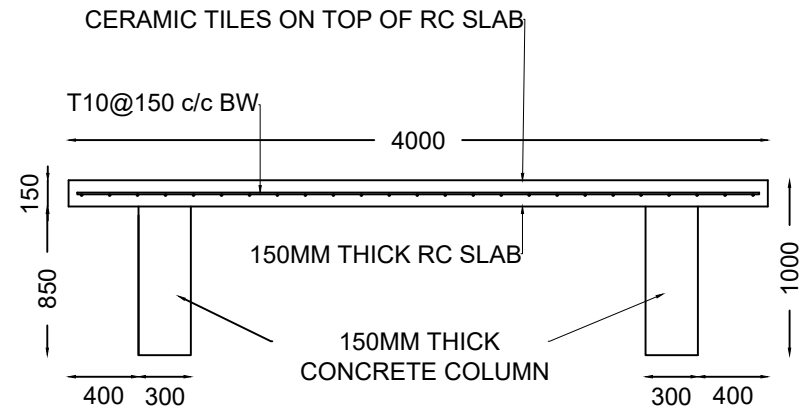
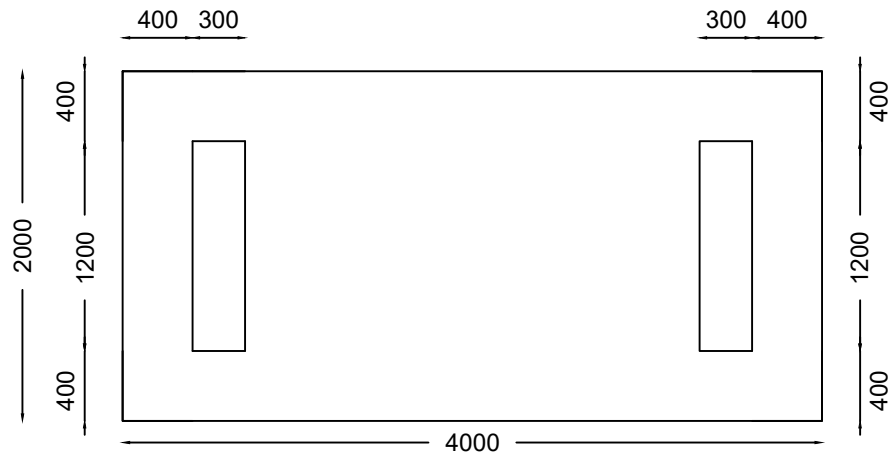
COLLECTION BAY - TRUSS DETAILS



COLLECTION BAY - SIDE ELEVATION

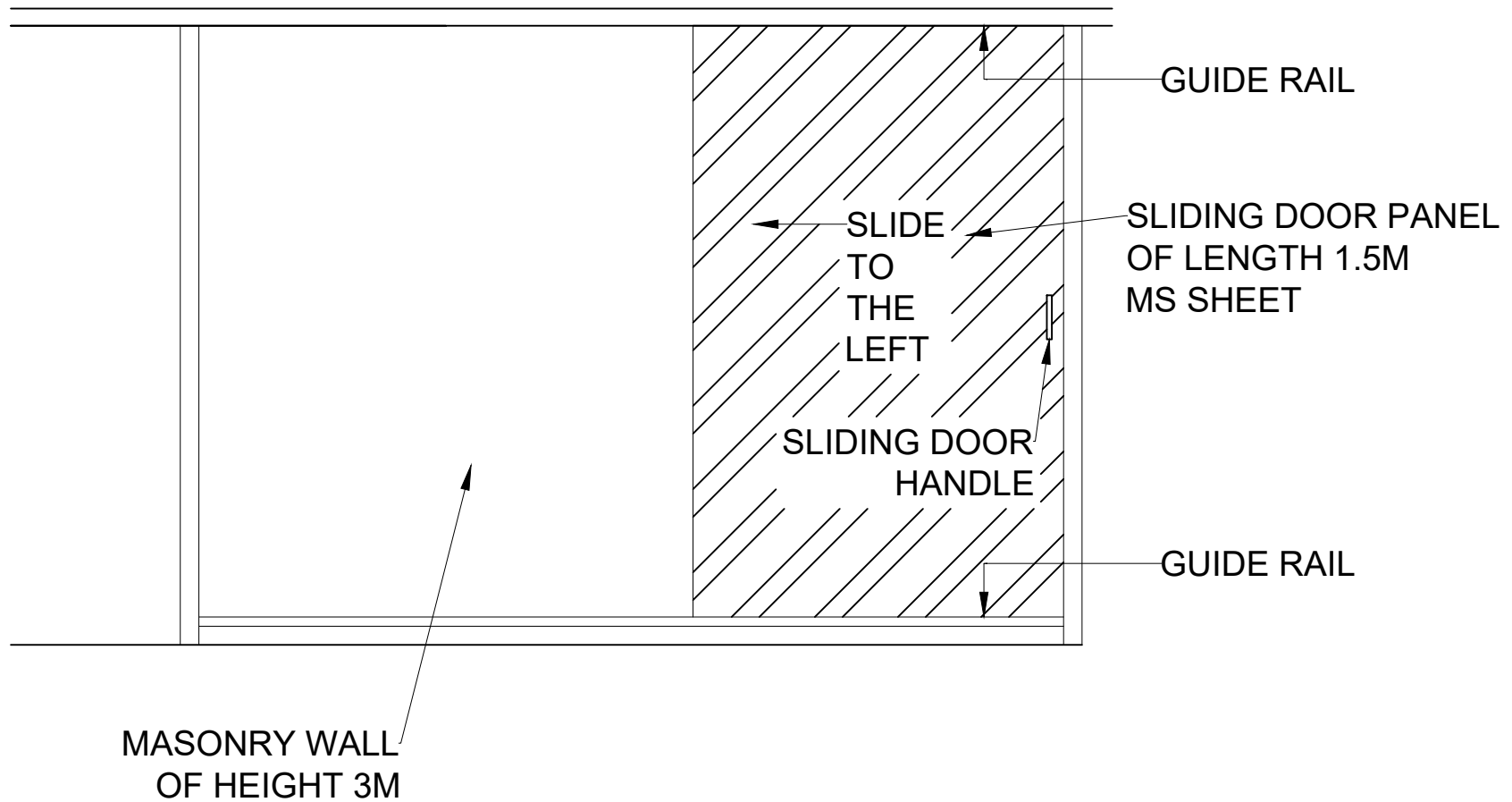


COLLECTION BAY - CROSS SECTION

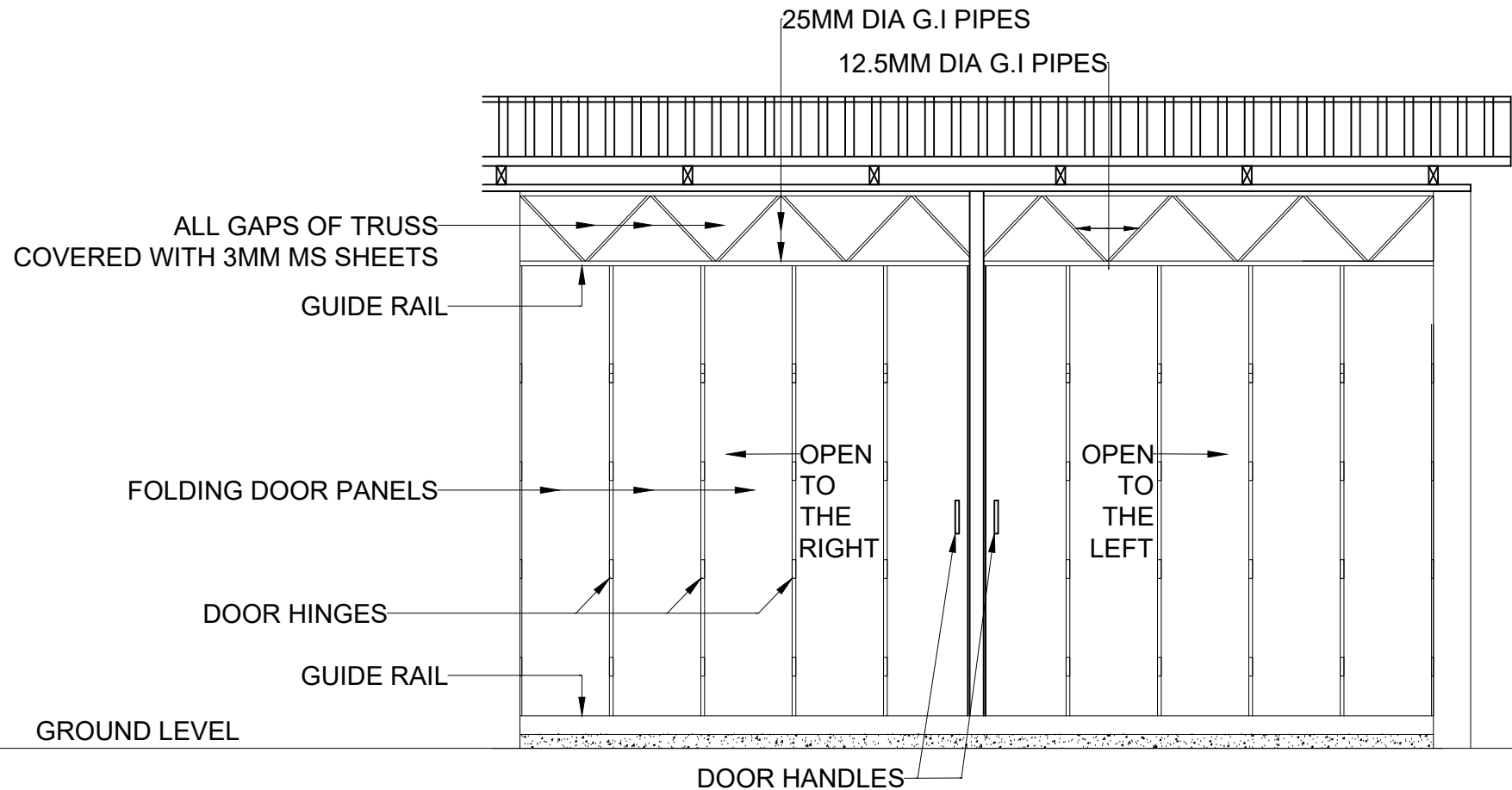


**SORTING AREA - SORTING PLATFORM DETAILS**



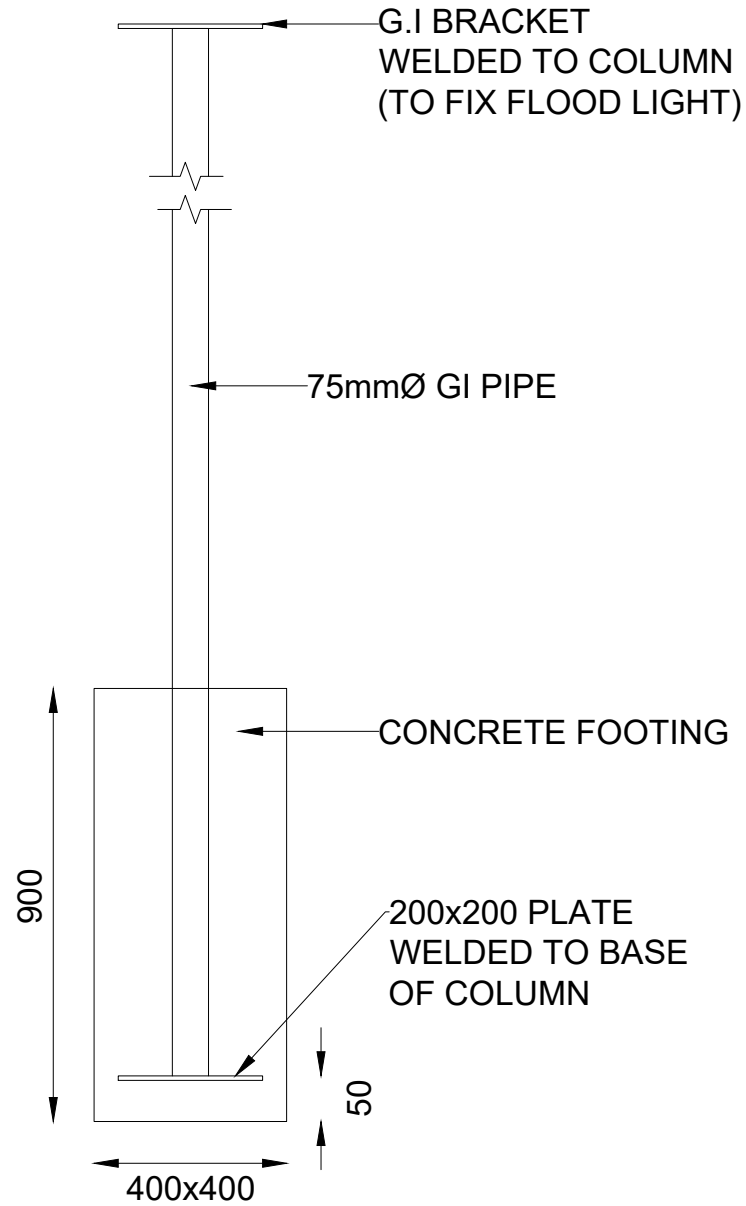


HAZARDOUS WASTE STORAGE ROOM - METAL SLIDING DOOR DETAIL

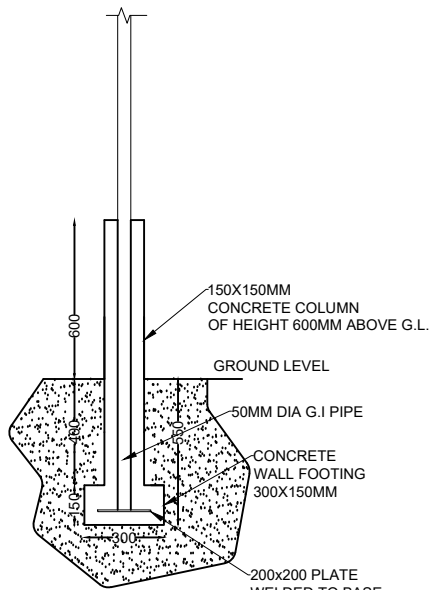


NOTE: ALL WELDS FOR TRUSS MEMBERS  
ARE 5MM FILLET WELDS

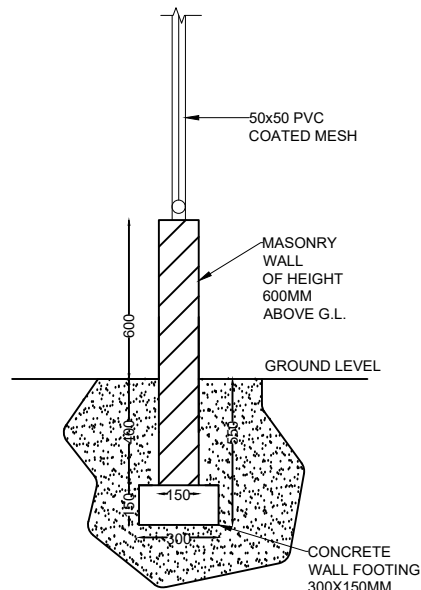
## EQUIPMENT ROOM - METAL SLIDING DOOR DETAIL



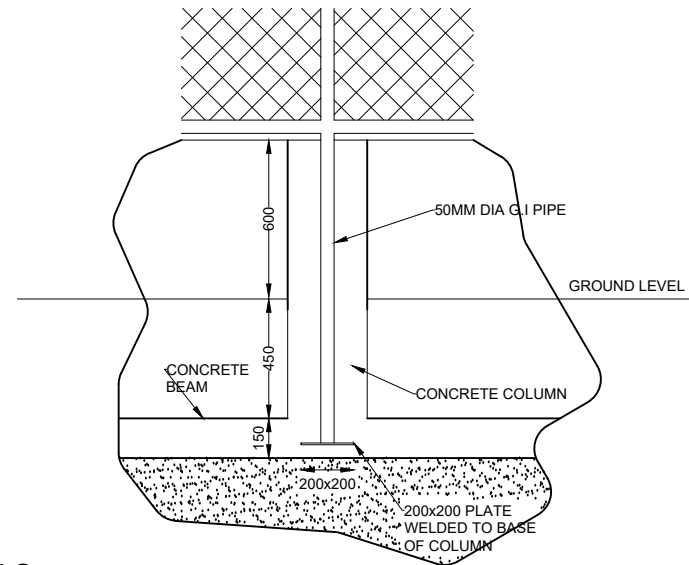
## FLOOD LIGHT FOUNDATION DETAILS



PERIMETER WALL  
COLUMN DETAILS

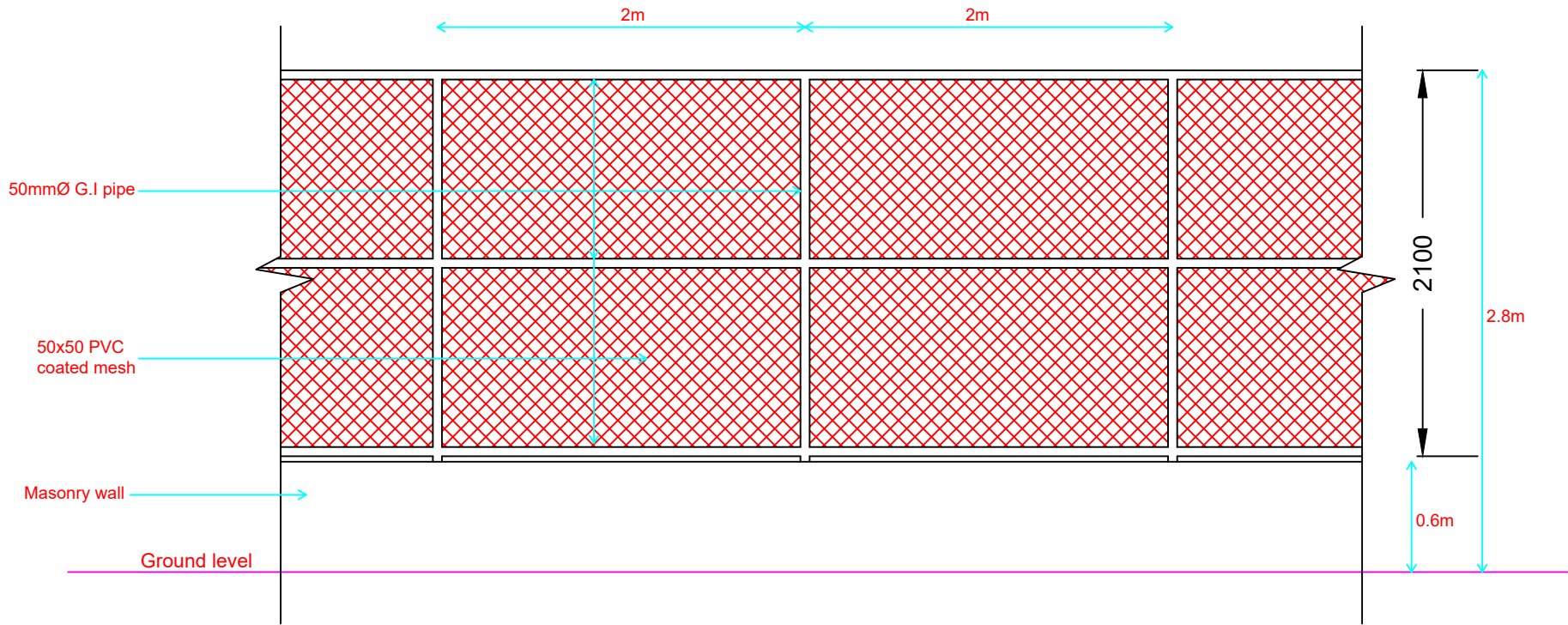


PERIMETER WALL  
BEAM AND WALL FOOTING DETAILS



PERIMETER FENCE  
FOUNDATION DETAIL

## BOUNDARY WALL - BEAM AND COLUMN DETAILS

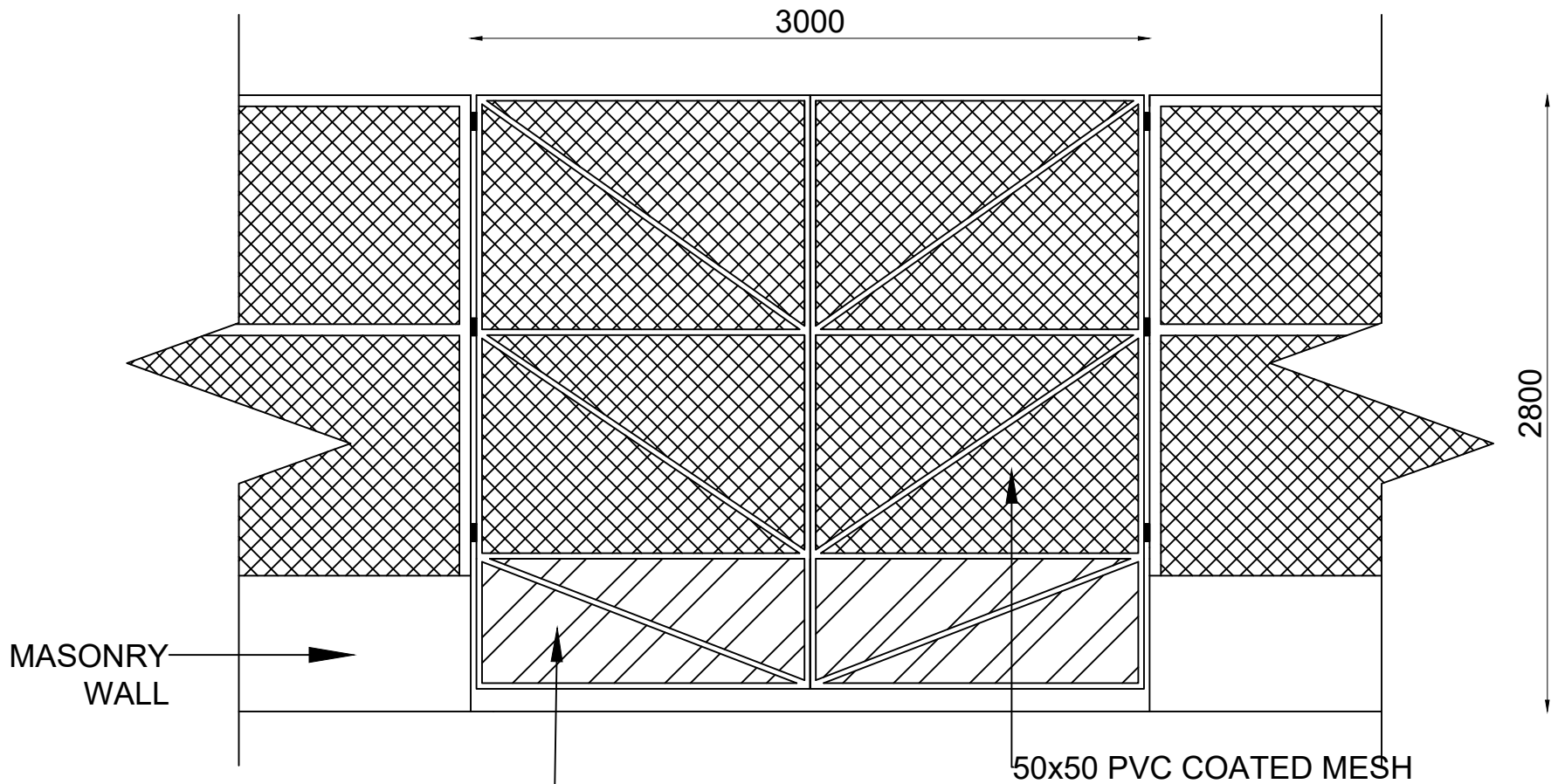


**PERIMETER FENCE**

NOTE: ALL WELDS  
ARE 5mm FILLET  
WELD AROUND  
MEMBER

**FENCE DETAILS**

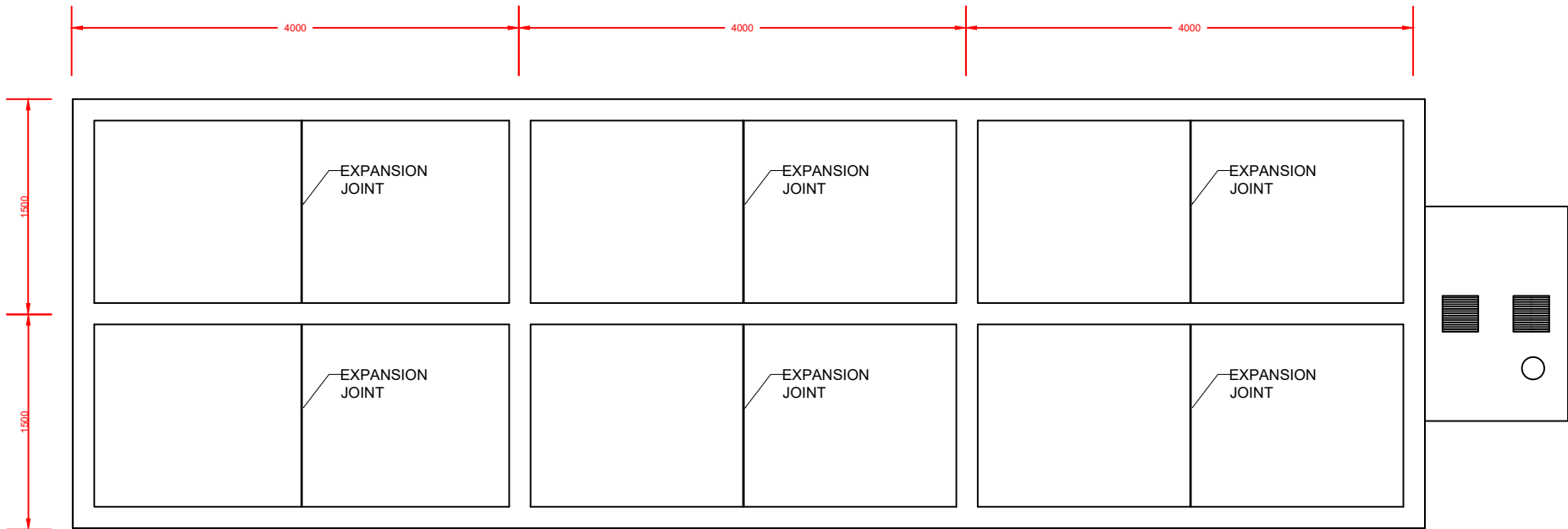




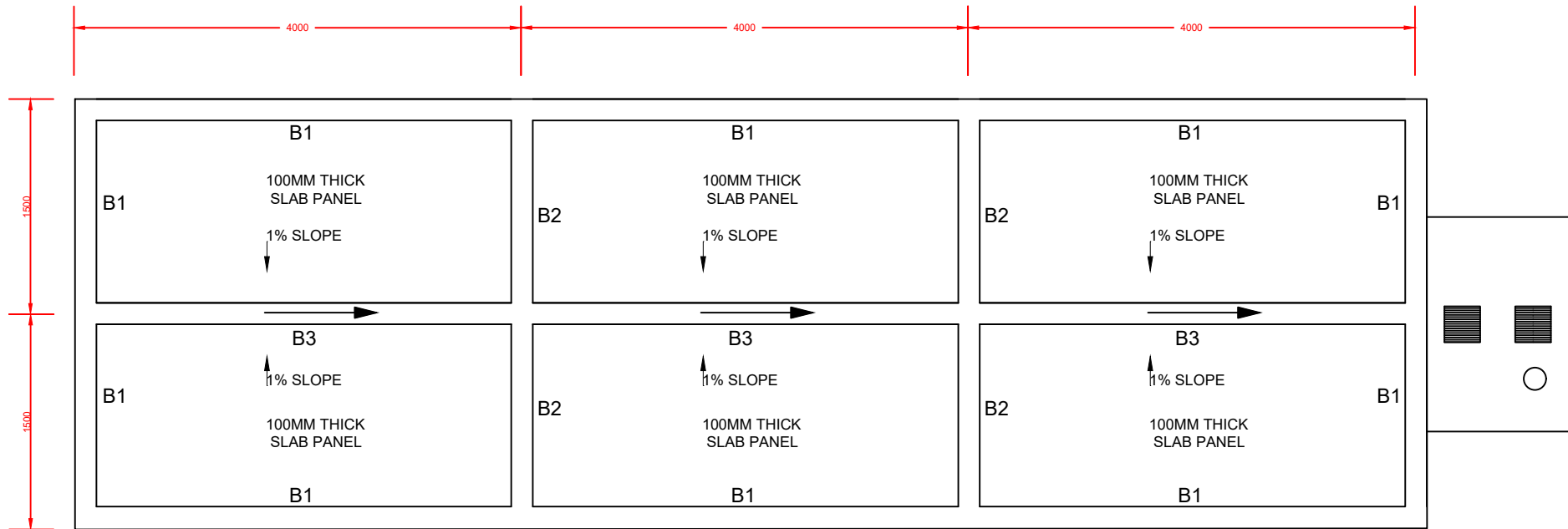
NOTE:  
 - DOOR IS MADE FROM 25MM DIA GI PIPE  
 - ALL WELDS ARE 5MM FILLET WELDS AROUND MEMBER

MAIN GATE



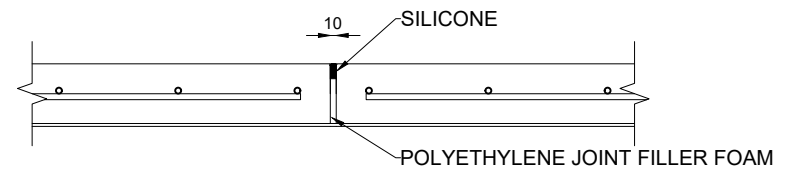
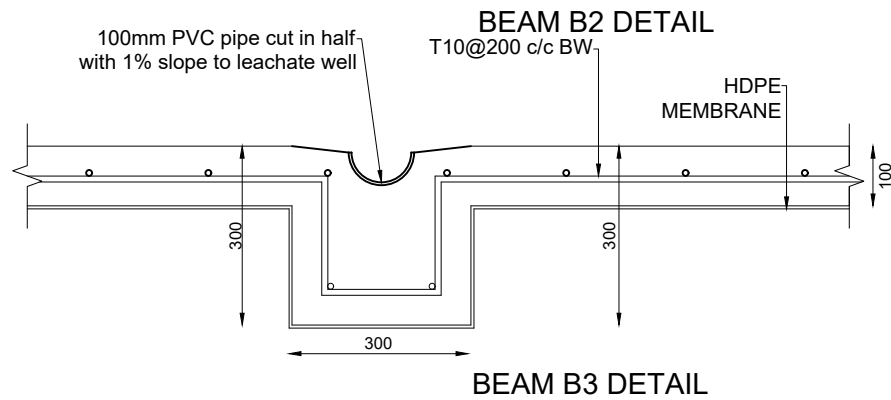
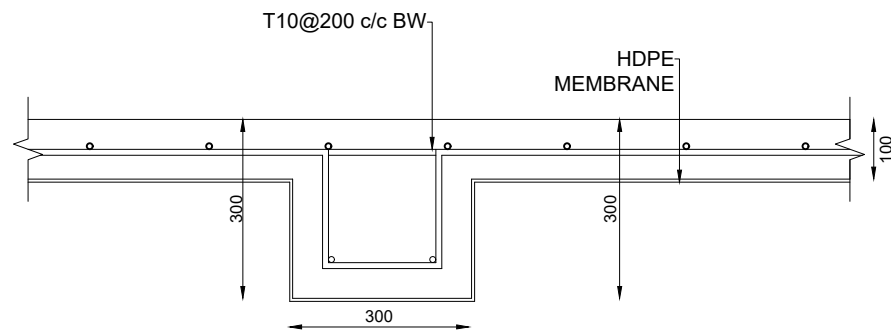
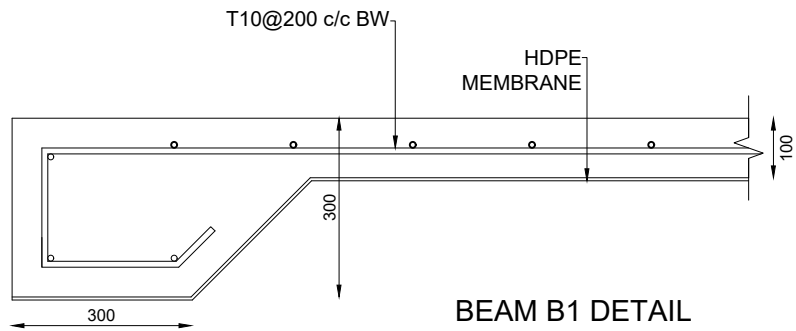


# COMPOST SLAB - JOINTS AND SPACINGS

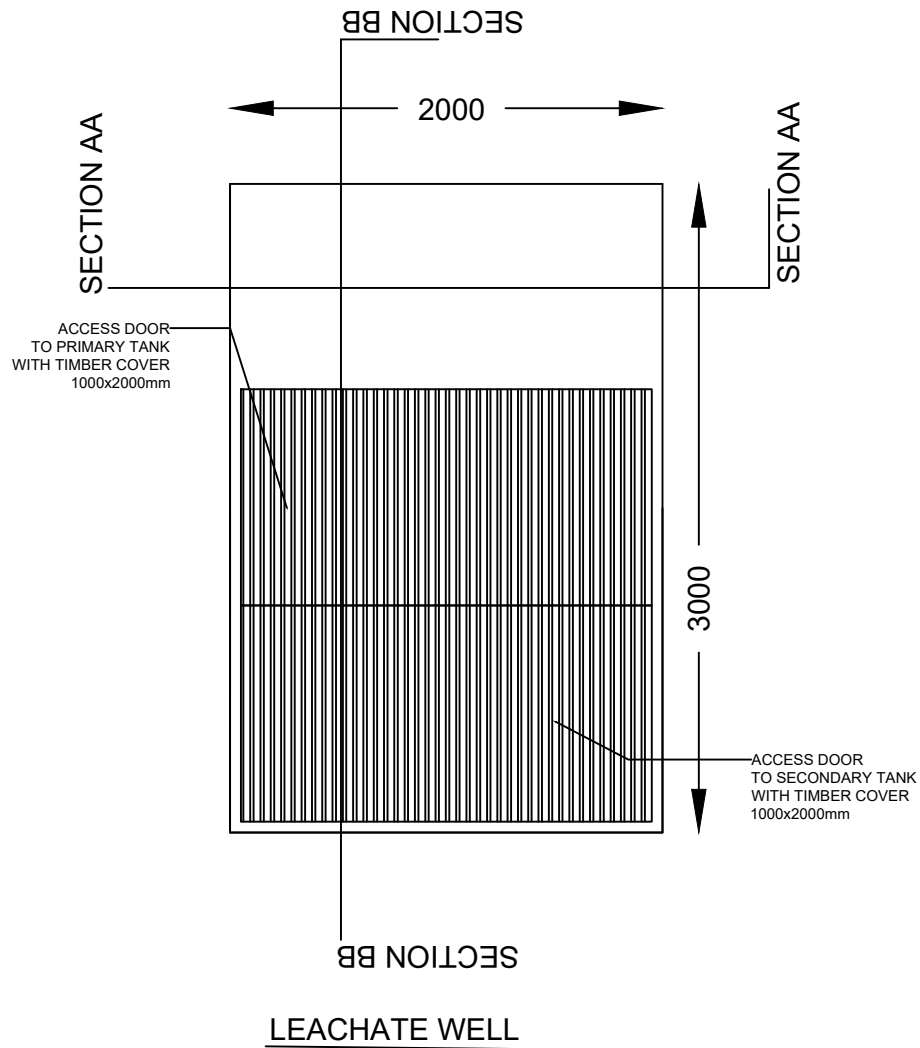


# COMPOST SLAB - PLAN

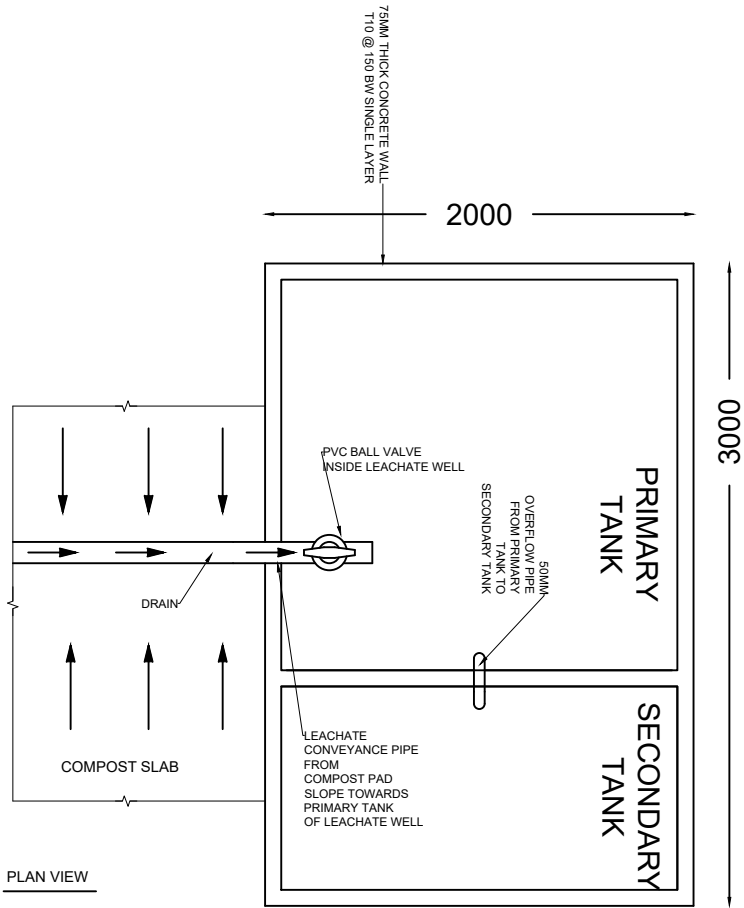




# COMPOST SLAB BEAM DETAILS

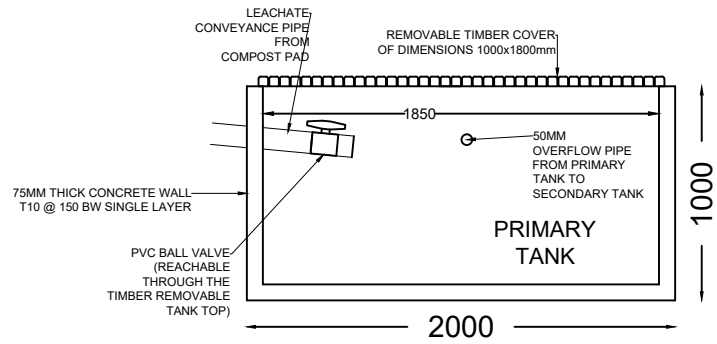


# LEACHATE COLLECTION TANK

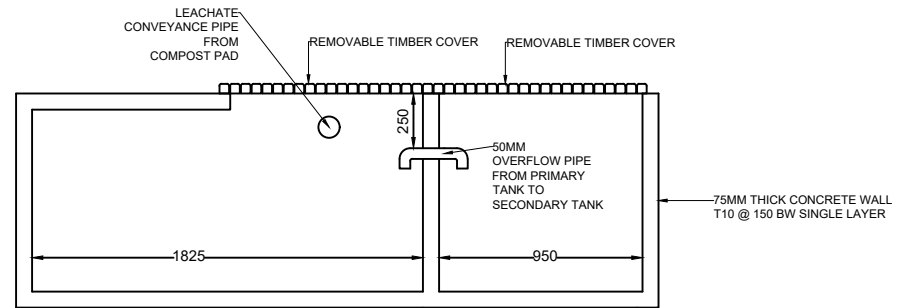


PLAN

LEACHATE WELL DETAILS

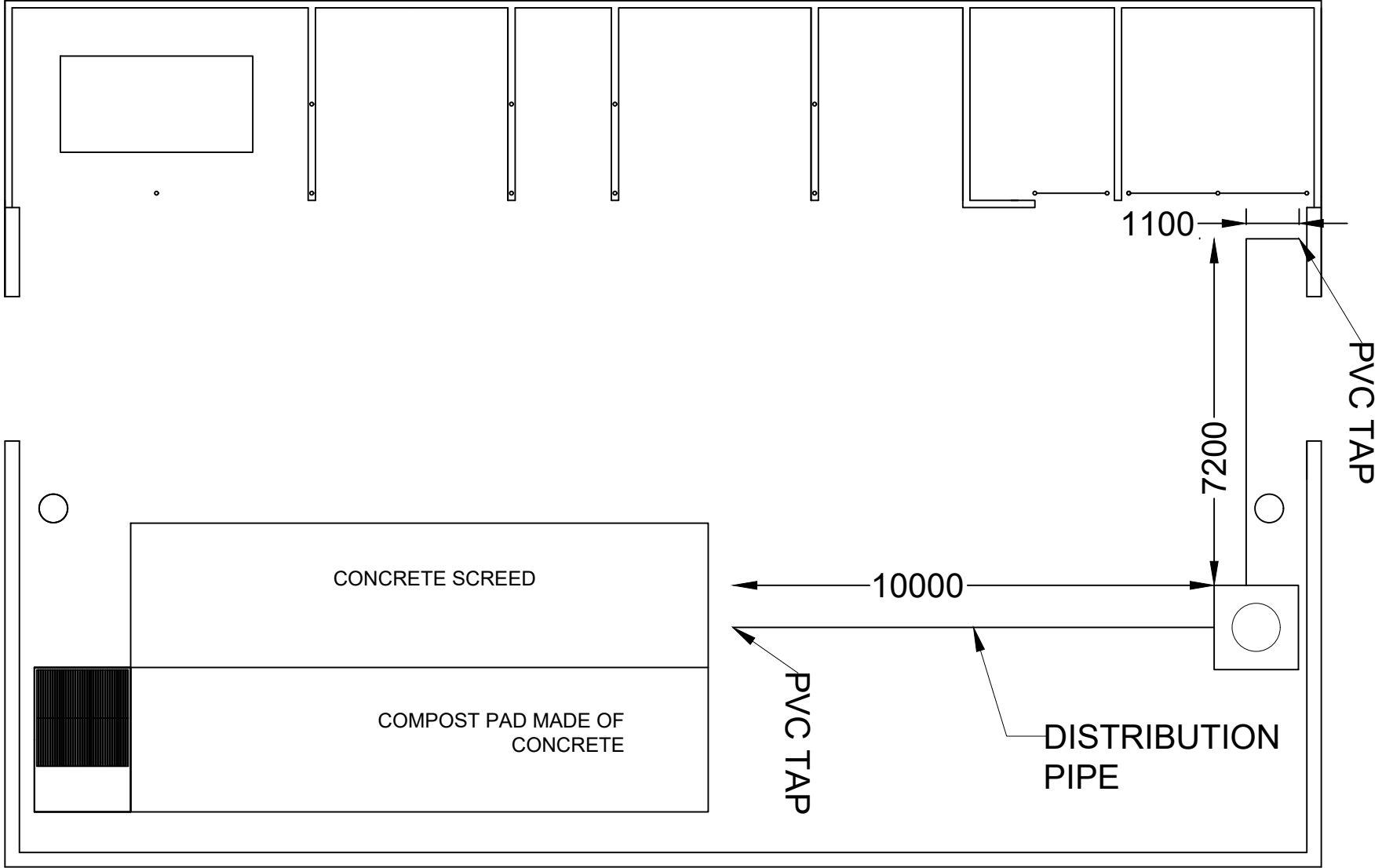


SECTION AA



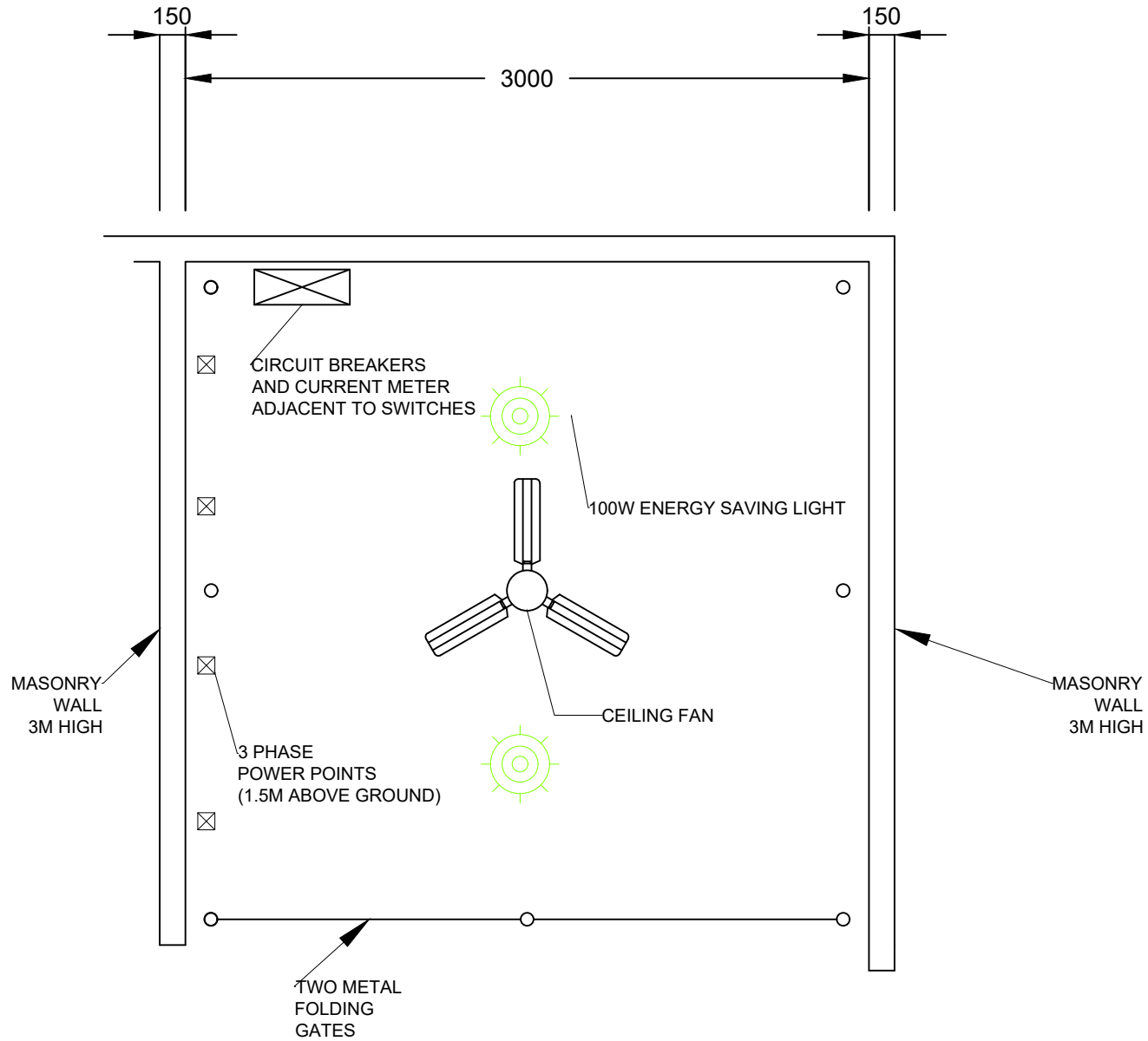
SECTION BB

LEACHATE COLLECTION TANK - DETAILS

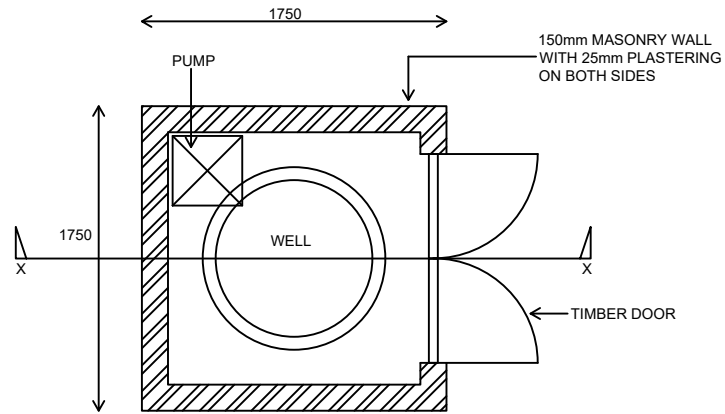


PLUMBING LAYOUT

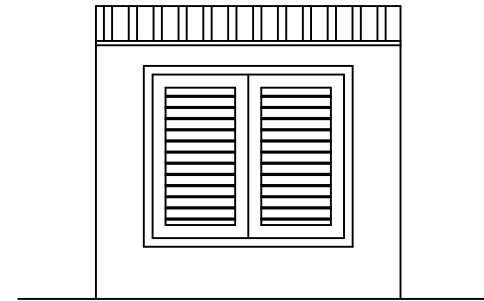




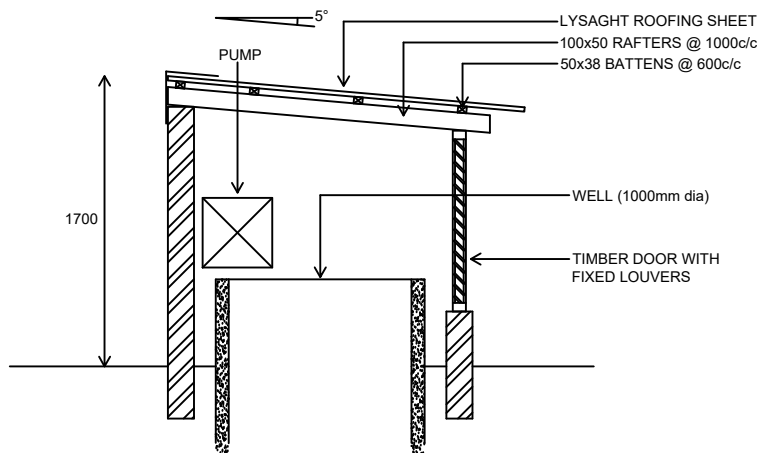
## ELECTRICAL LAYOUT - EQUIPMENT ROOM



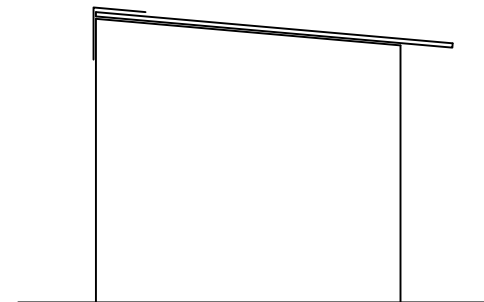
PUMP ROOM HUT



FRONT ELEVATION



SECTION X-X



SIDE ELEVATION

# GROUND WATER PUMP ROOM HUT DETAILS