

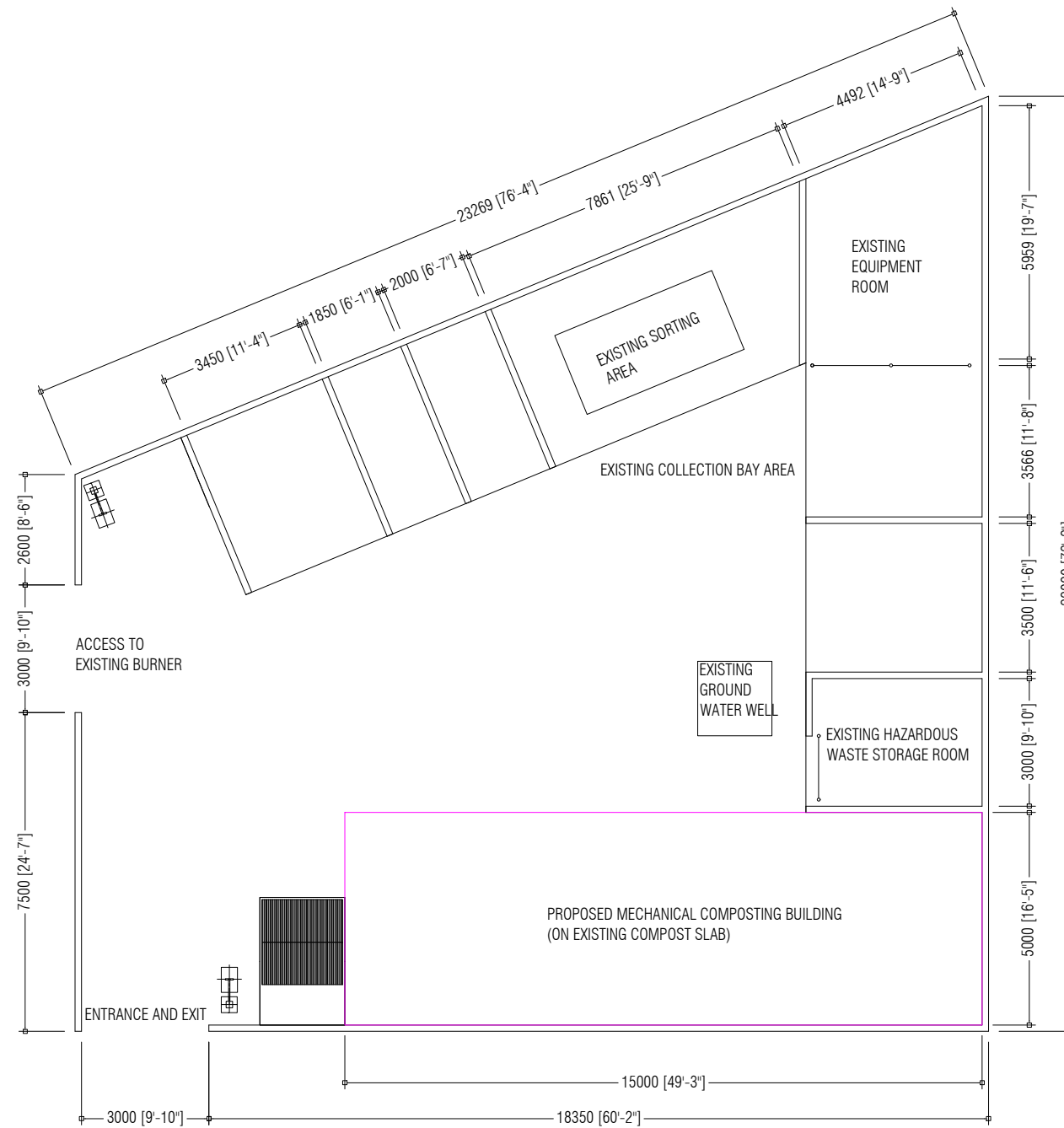
UPGRADING OF F.MAGOODHOO  
ISLAND WASTE AND RESOURCE MANAGEMENT CENTRE



PREPARED BY:  
MALDIVES CLEAN ENVIRONMENT PROJECT  
MINISTRY OF ENVIRONMENT

---

APRIL 2021



PREPARED BY

PROJECT

DESIGN BY

AMENDMENTS

UPGRADING OF IWRMC  
F.MAGOODHOO

AFRAZ

TITLE

STRUCTURE BY

EXISTING IWRMC PLAN

AFRAZ

CLIENT DEPARTMENT  
WMPC DEPARTMENT

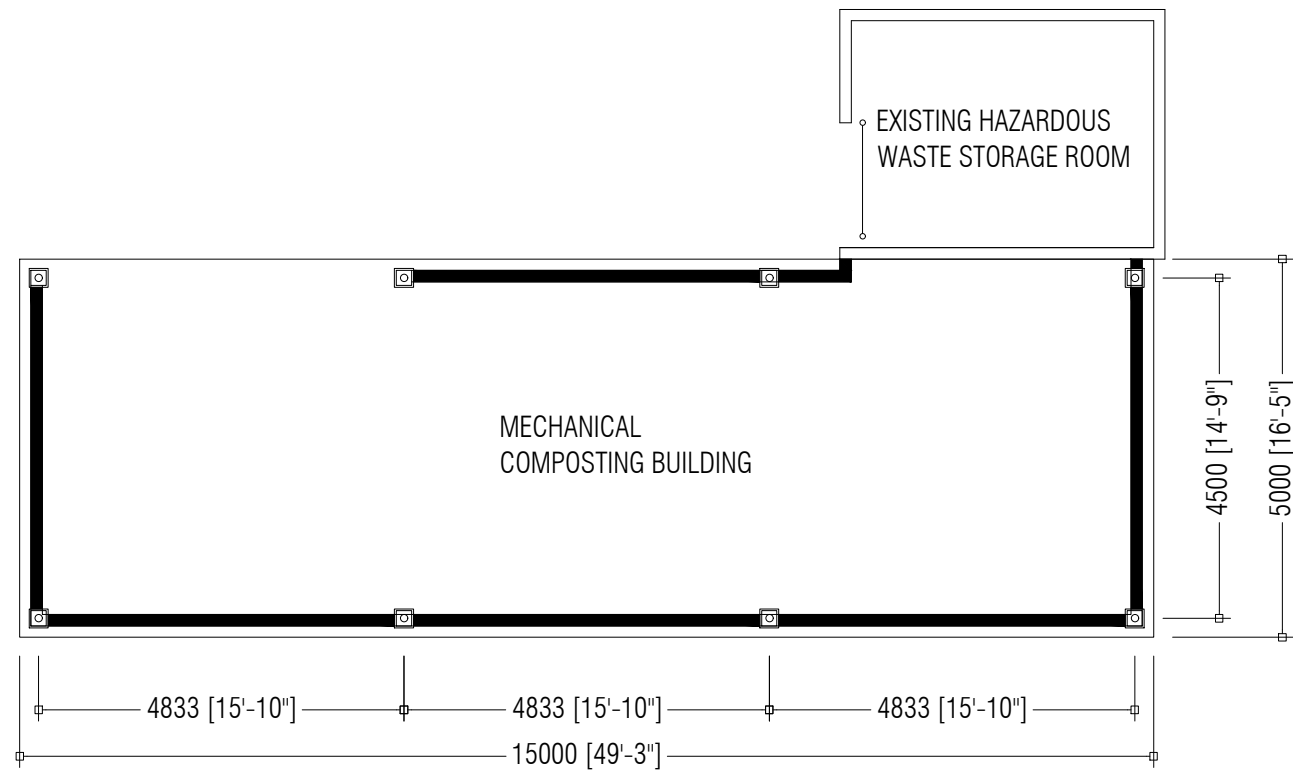
DRAWN BY  
AFRAZ

PAPER SIZE A3  
PAGE NO. 01

SCALE 1:150  
DWG NO. MAGO-A1-01  
DATE 26.04.2021




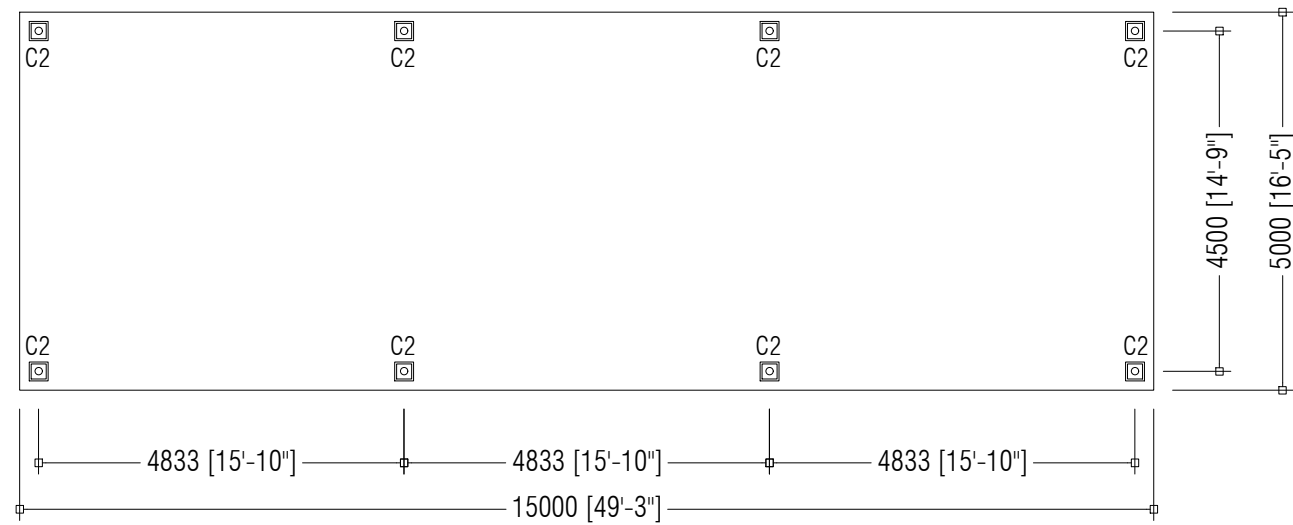
MCEP  
MINISTRY OF ENVIRONMENT  
GREEN BUILDING, HANDHUVAREE HIGUN,  
MAAFANNU, MALE (20392), REPUBLIC OF MALDIVES.  
TEL: +960-3018431, +960-3018300, FAX: +960-328301



NOTE:

2500mm HEIGHT MASONRY WALLS + LOUVER ON TOP

PREPARED BY	PROJECT	DESIGN BY	AMENDMENTS
 <p>MCEP MINISTRY OF ENVIRONMENT GREEN BUILDING, HANDHUVAREE HIGUN, MAAFANNU, MALE' (20392), REPUBLIC OF MALDIVES. TEL: +960-3018431, +960-3018300, FAX: +960-328301</p>	UPGRADING OF IWRMC F.MAGOODHOO	AFRAZ	
	TITLE PROPOSED MECH. COMPOSTING BUILDING PLAN	STRUCTURE BY AFRAZ	
	CLIENT DEPARTMENT WMPC DEPARTMENT	DRAWN BY AFRAZ	
	PAPER SIZE A3	SCALE 1:150	
	PAGE NO. 02	DWG NO. MAGO-A1-02	
		DATE 26.04.2021	



PREPARED BY

PROJECT

DESIGN BY

AMENDMENTS

UPGRADING OF IWRMC  
F.MAGOODHOO

AFRAZ

TITLE

STRUCTURE BY

FOUNDATION / COLUMNS PLAN

AFRAZ

CLIENT DEPARTMENT

DRAWN BY

WMPC DEPARTMENT

AFRAZ

PAPER SIZE A3

SCALE 1:100

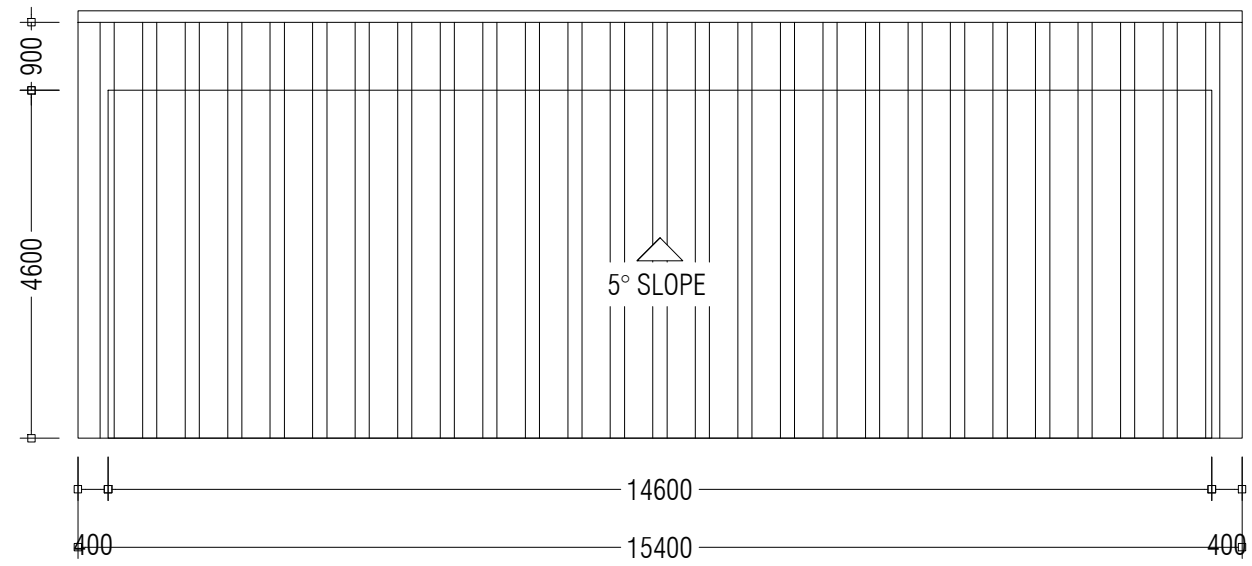
PAGE NO. 03

DWG NO. MAGO-A1-03

DATE 26.04.2021

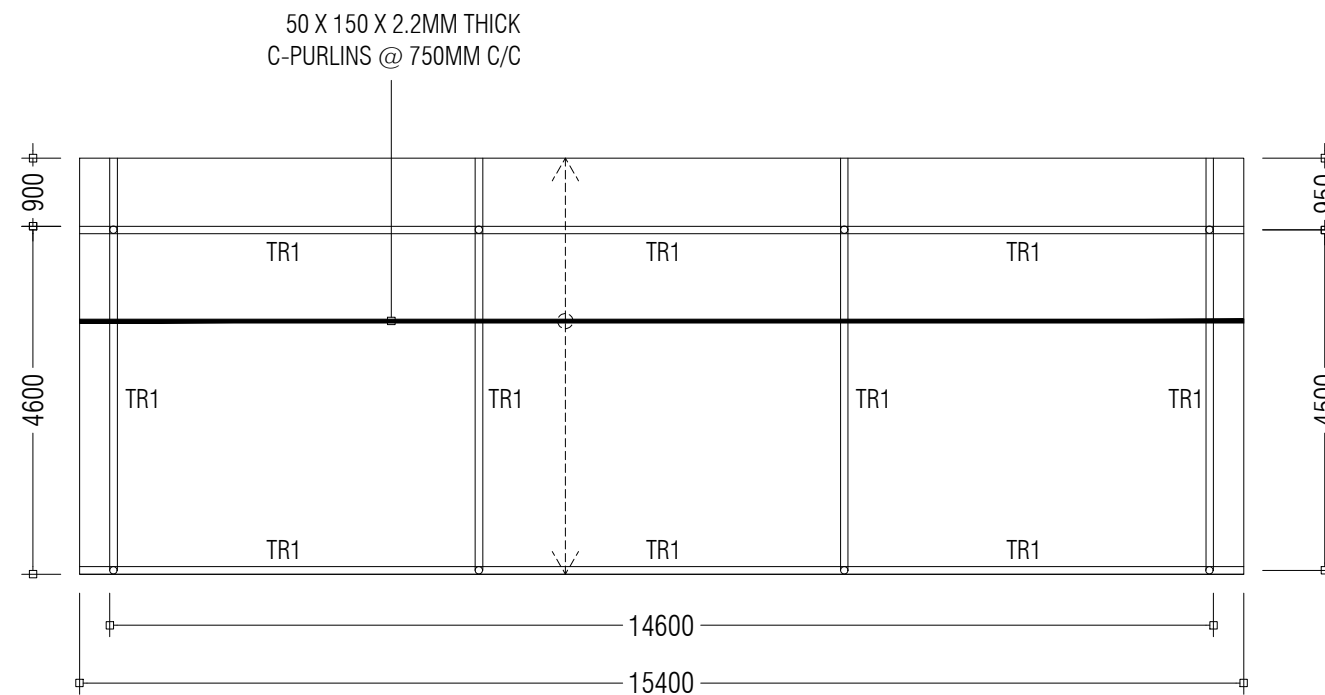


MCEP  
MINISTRY OF ENVIRONMENT  
GREEN BUILDING, HANDHUVAREE HIGUN,  
MAAFANNU, MALE (20392), REPUBLIC OF MALDIVES.  
TEL: +960-3018431, +960-3018300, FAX: +960-328301



PREPARED BY	PROJECT	DESIGN BY	AMENDMENTS
	UPGRADING OF IWRMC F.MAGOODHOO	AFRAZ	
	TITLE	STRUCTURE BY	
	ROOF PLAN	AFRAZ	
	CLIENT DEPARTMENT	DRAWN BY	
	WMPC DEPARTMENT	AFRAZ	
	PAPER SIZE A3	SCALE NTS	
	PAGE NO. 04	DWG NO. MAGO-A1-04	
		DATE 26.04.2021	





PREPARED BY

PROJECT  
UPGRADING OF IWRMC  
F.MAGOODHOO

DESIGN BY  
AFRAZ

AMENDMENTS

TITLE  
ROOF STRUCTURE PLAN

STRUCTURE BY  
AFRAZ

CLIENT DEPARTMENT  
WMPC DEPARTMENT

DRAWN BY  
AFRAZ

PAPER SIZE A3

SCALE NTS

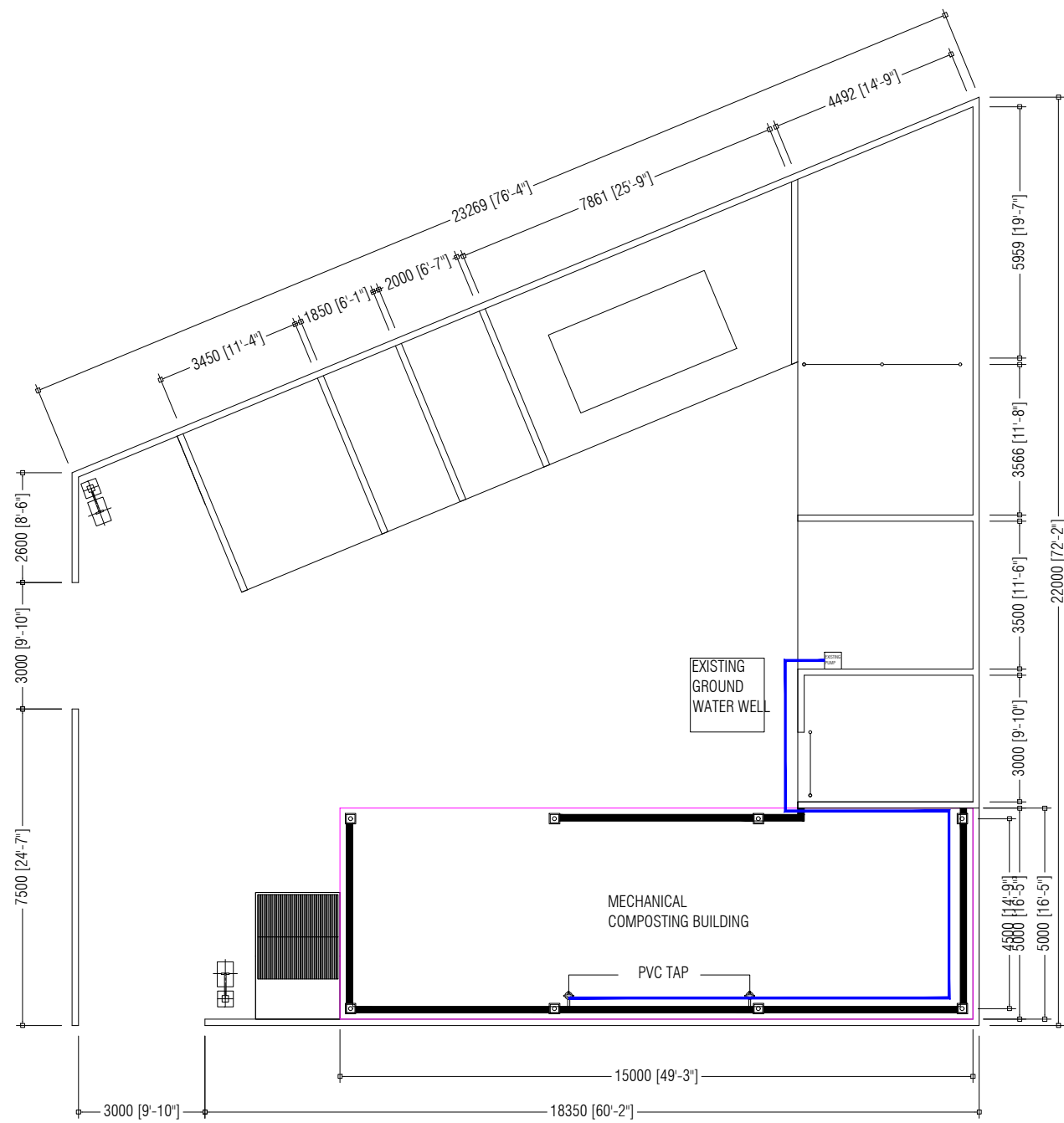
PAGE NO. 05

DWG NO. MAGO-A1-05

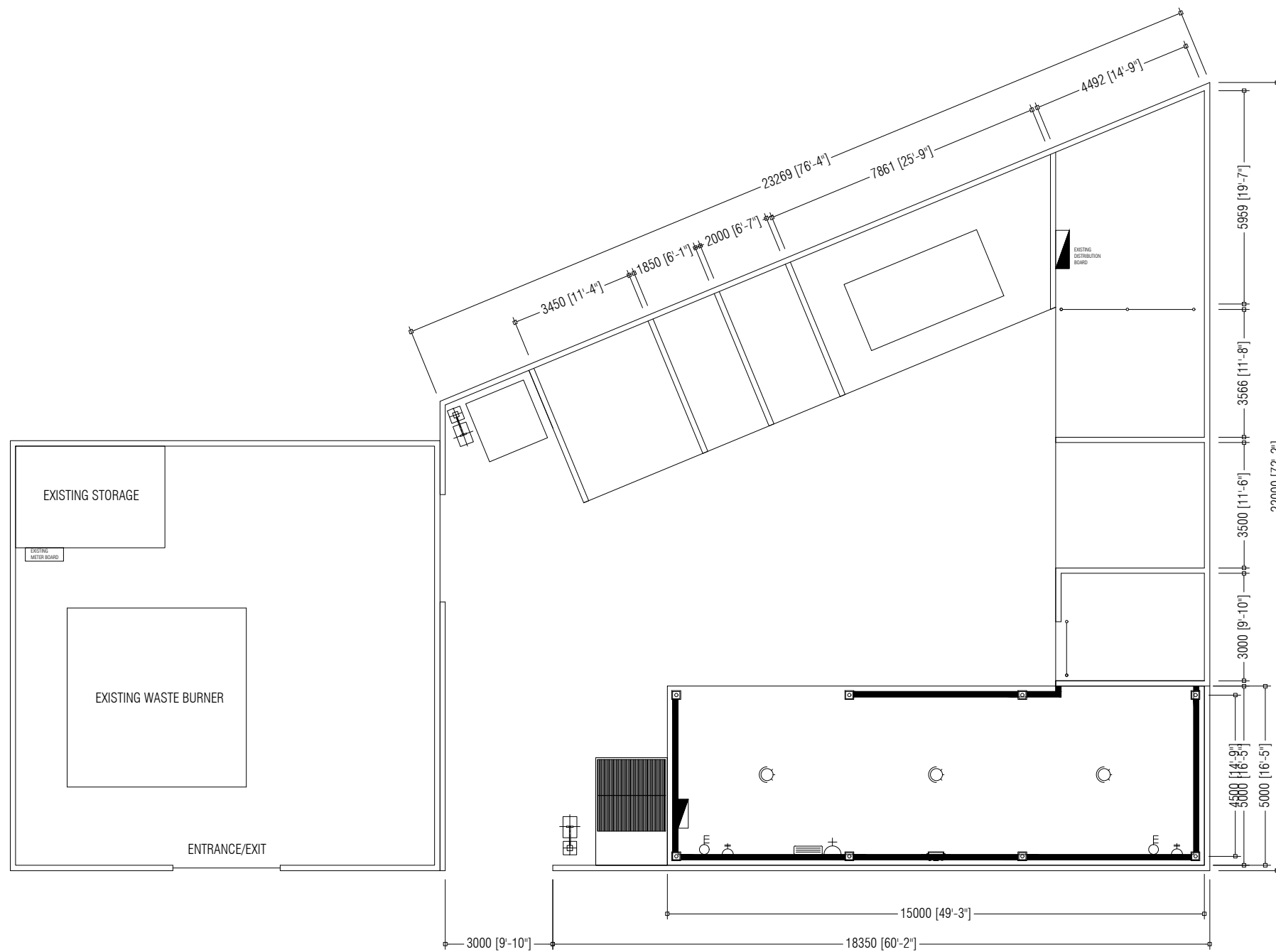
DATE 26.04.2021



MCEP  
MINISTRY OF ENVIRONMENT  
GREEN BUILDING, HANDHUVAREE HIGUN,  
MAAFANNU, MALÉ (20392), REPUBLIC OF MALDIVES,  
TEL: +960-3018431, +960-3018300, FAX: +960-328301



PREPARED BY	PROJECT	DESIGN BY	AMENDMENTS
	UPGRADING OF IWRMC F.MAGOODHOO	AFRAZ	
	TITLE PLUMBING PLAN	STRUCTURE BY AFRAZ	
	CLIENT DEPARTMENT WMPC DEPARTMENT	DRAWN BY AFRAZ	
	PAPER SIZE A3	SCALE NTS	
	PAGE NO. 06	DWG NO. MAGO-A1-06	
		DATE 26.04.2021	



- DISTRIBUTION BOARDS
- 25W SWIVEL LED FLOOD LIGHT (DAY LIGHT)
- 10W WALL MOUNT LED EMERGENCY LIGHT (DAY LIGHT)
- 13AMP DOUBLE SOCKET
- 3 PHASE, 15A POWER POINTS [1.5m ABOVE FL. LEVEL]
- EXHAUST FAN

PREPARED BY

PROJECT

DESIGN BY

AMENDMENTS

UPGRADING OF IWRMC  
F.MAGOODHOO

AFRAZ

TITLE  
ELECTRICAL PLAN

STRUCTURE BY  
AFRAZ

CLIENT DEPARTMENT  
WMPC DEPARTMENT

DRAWN BY  
AFRAZ

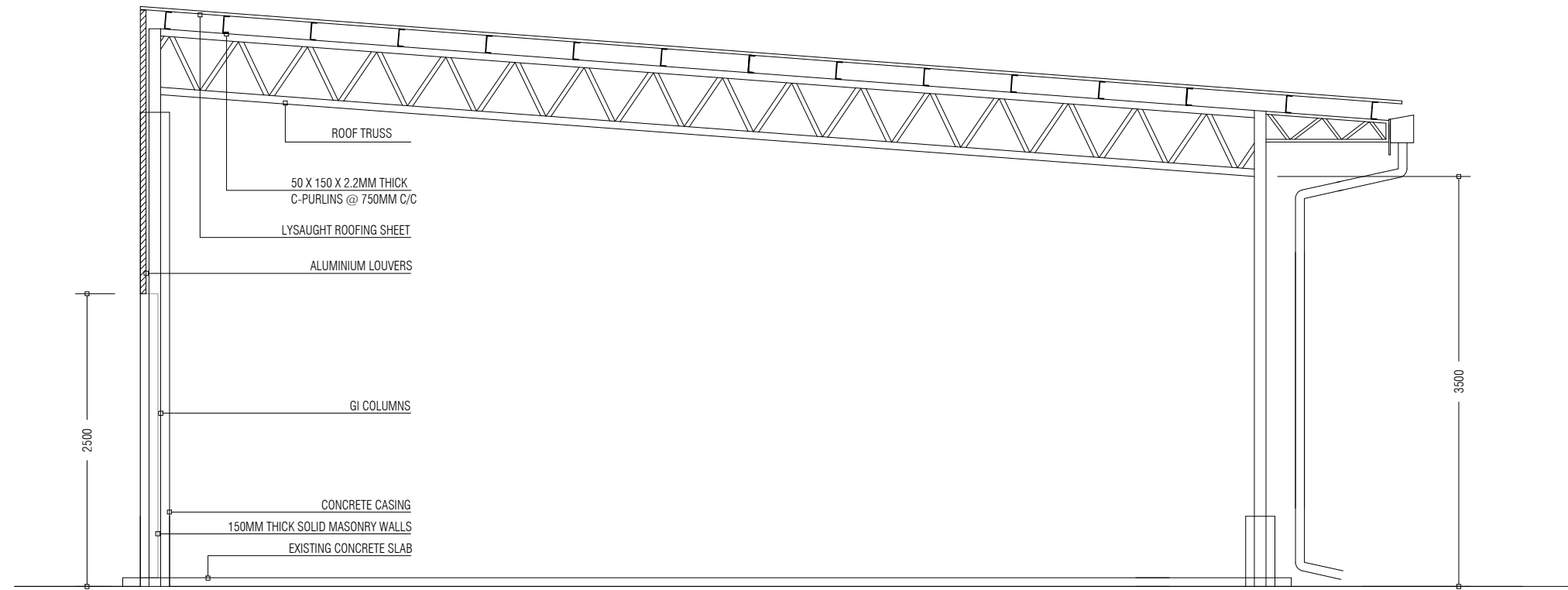
PAPER SIZE A3  
PAGE NO. 07

SCALE NTS  
DWG NO. MAGO-A1-07  
DATE 26.04.2021

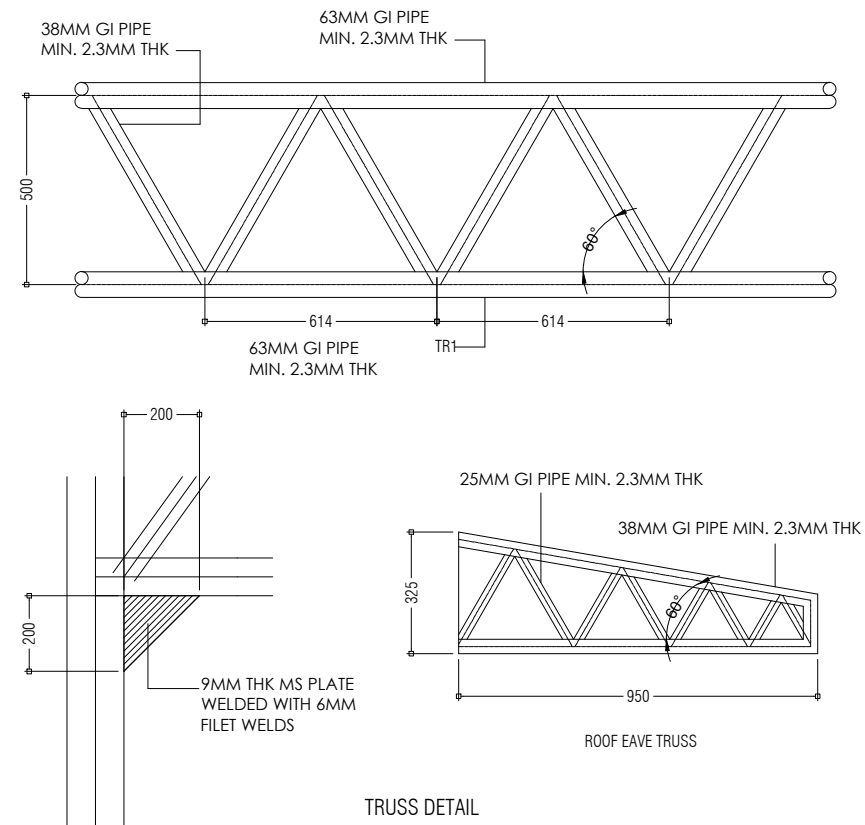


MCEP  
MINISTRY OF ENVIRONMENT  
GREEN BUILDING, HANDHUVAREE HIGUN,  
MAAFANNU, MALE (20392), REPUBLIC OF MALDIVES.  
TEL: +960-3018431, +960-3018300, FAX: +960-328301





COMPOSTING BUILDING SECTION



TRUSS DETAIL

PREPARED BY

PROJECT  
UPGRADING OF IWRMC  
F.MAGOODHOO

DESIGN BY  
AFRAZ

AMENDMENTS

TITLE  
ELEVATIONS AND SECTIONS

STRUCTURE BY  
AFRAZ

CLIENT DEPARTMENT  
WMPC DEPARTMENT

DRAWN BY  
AFRAZ

PAPER SIZE A3

SCALE NTS

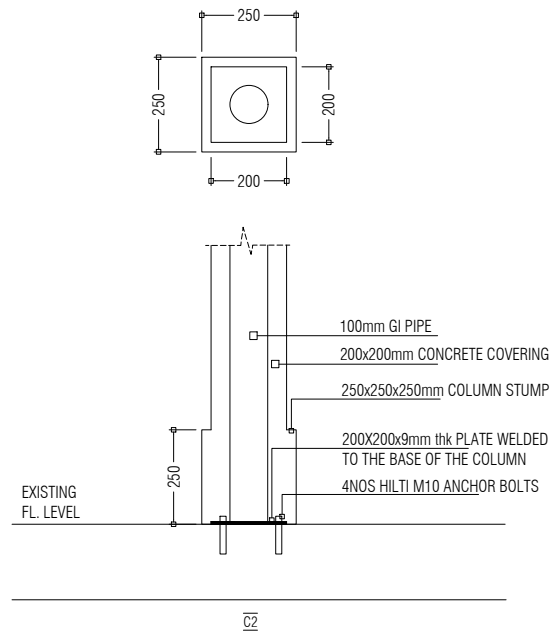
PAGE NO. 08

DWG NO. MAGO-A2-08

DATE 26.04.2021



MCEP  
MINISTRY OF ENVIRONMENT  
GREEN BUILDING, HANDHUVAREE HIGUN,  
MAAFANNU, MALÉ (20392), REPUBLIC OF MALDIVES,  
TEL: +960-3018431, +960-3018300, FAX: +960-328301



PREPARED BY

PROJECT

DESIGN BY

AMENDMENTS

UPGRADING OF IWRMC  
F.MAGOODHOO

AFRAZ

TITLE

STRUCTURE BY

FOOTING AND COLUMN DETAILS

AFRAZ

CLIENT DEPARTMENT

DRAWN BY

WMPC DEPARTMENT

AFRAZ

PAPER SIZE A3

SCALE 1:50

PAGE NO. 09

DWG NO. MAGO-D1-9

DATE 26.04.2021



MCEP  
MINISTRY OF ENVIRONMENT  
GREEN BUILDING, HANDHUVAREE HIGUN,  
MAAFANNU, MALÉ (20392), REPUBLIC OF MALDIVES,  
TEL: +960-3018431, +960-3018300, FAX: +960-328301